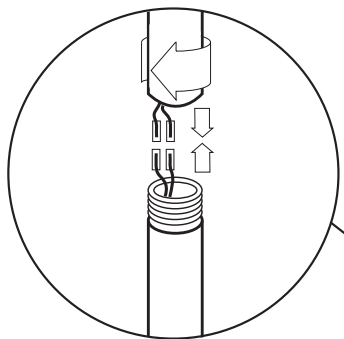
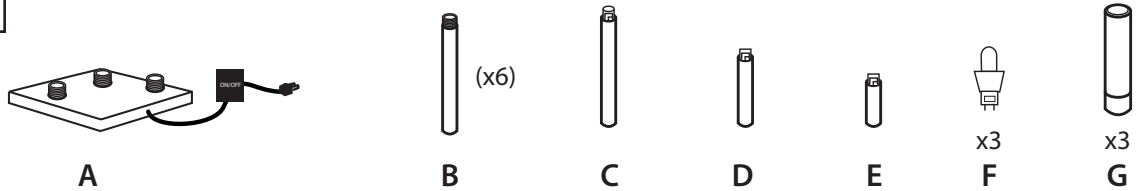


Icicle Floor Lamp

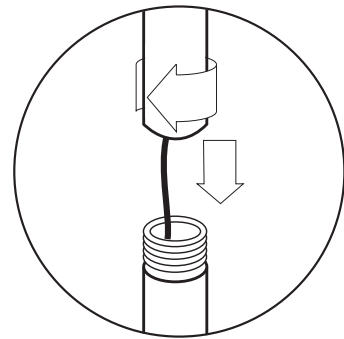
Part # LSH-ICICLE FLR

22-0914

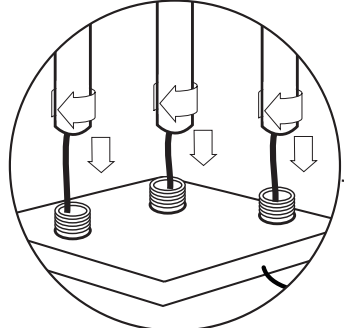
PARTS



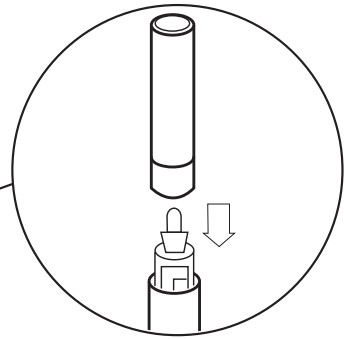
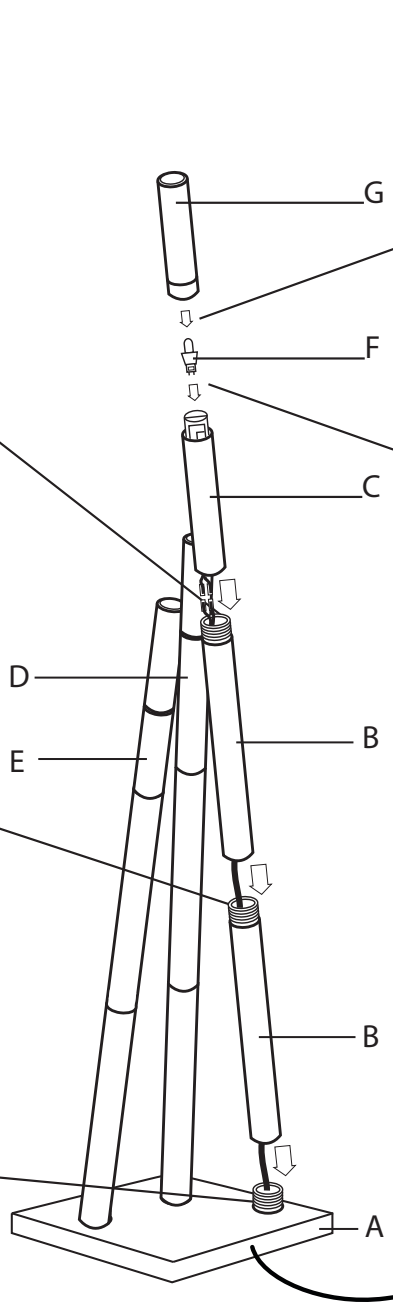
3: Pull cord through then connect wires X3
4: Twist to secure X3



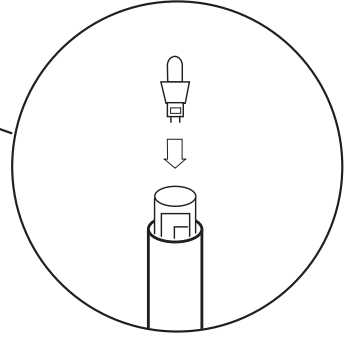
2: Pull cord through then twist to secure X3



1: Twist to secure X3



6: Insert glass tubes X3



5: Insert bulbs X3

7: Plug in adaptor



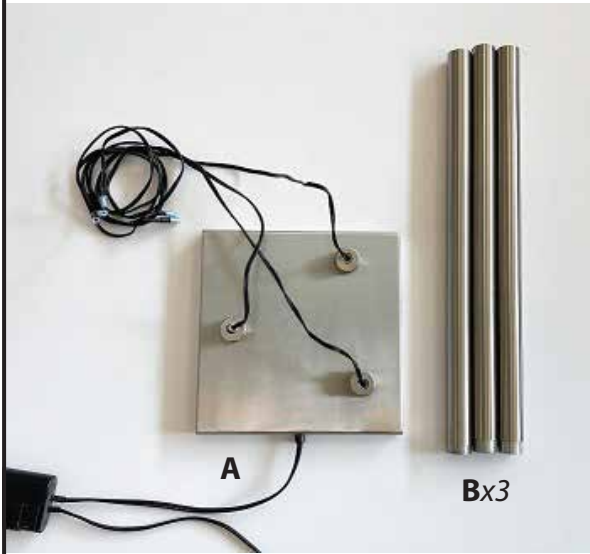
8: On/Off dimmer switch

⚠ WARNING: LIGHTING

- Read all instructions carefully and completely before assembly and use. Retain for future reference.
- Keep plastic bags and small parts away from children.
- For residential (non-commercial) use only.
- Warning: Risk of fire; Use 60 watt bulb max.
- Electrocution hazard.
- DO NOT use if cord is frayed/damaged.
- Periodically check for loose hardware; retighten as necessary.
- DO NOT use product if any component becomes damaged.
- DO NOT use power tools to assemble OR overtighten hardware.
- DO NOT stand on product. Use only for intended purpose.
- Max weight limit 25 lbs.

Icicle Floor Lamp

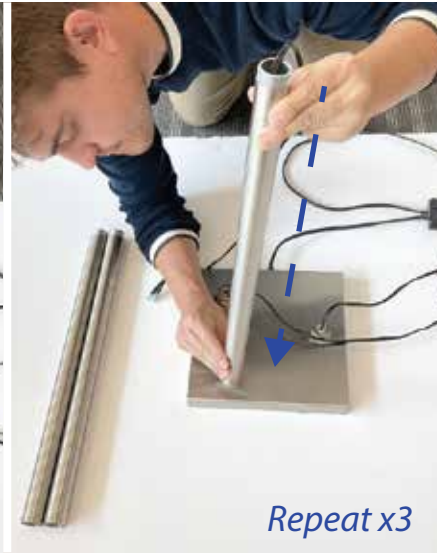
STEP 1 **Assemble on the ground*
Parts needed



Feed wire through tubing



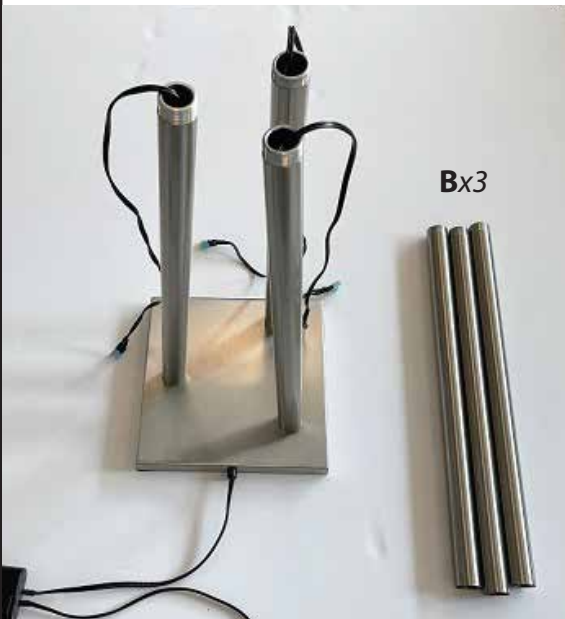
**Aligned tubing to the base matching the fixed angle. Thread into place*



**Threading must be aligned for a flush connection*



STEP 2 Parts needed



Feed wire through tubing



**Align tubing with fixed angle*



Twist into place until flush



Final Criss-cross orientation



Icicle Floor Lamp

STEP 3

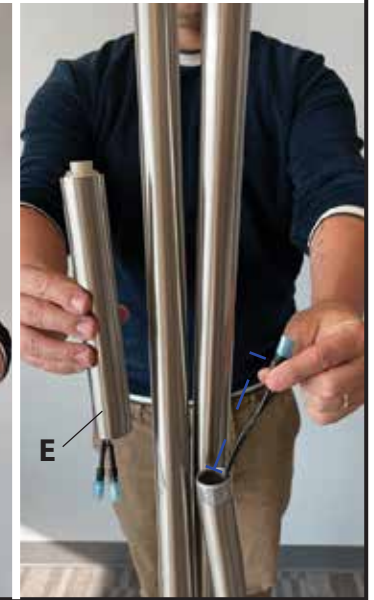
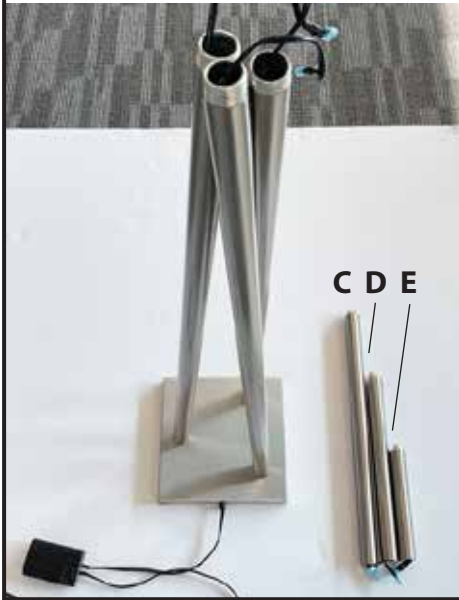
Parts needed

**Compare cord lengths*

**Assemble in order:
Longest cord = PART C*

Medium cord = PART D

Shortest cord = PART E

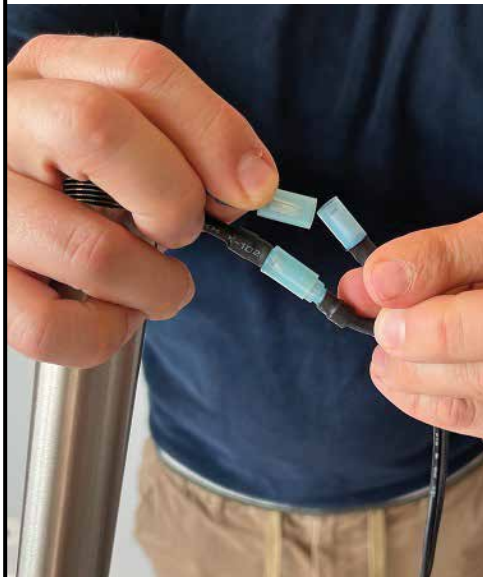


Connect cord plugs together

Tuck wires in tubing

Align tubing & thread into place

Twist into place until flush



Icicle Floor Lamp

STEP 4 Parts needed Snap G-9 Bulb into socket



STEP 6

- Plug in lamp to turn on
- Adjust dimmer switch to desired lamp brightness

STEP 5 Parts needed Slide Sconce into sleeve cavity

