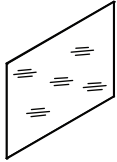


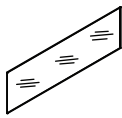
Part # OFD-TM-2TIER XX

13-0828

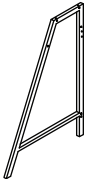
PARTS



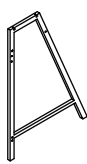
A x 1PC



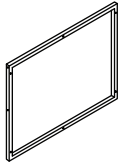
B x 1PC



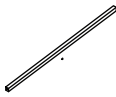
C x 1PC



D x 1PC



E x 1PC



F x 2PC



G x 1PC



H x 2PCS



M6 x 40
I x 8PCS



M6 x 30
J x 4PCS



M6 x 12
K x 8PCS



L x 6PCS



M x 6PCS

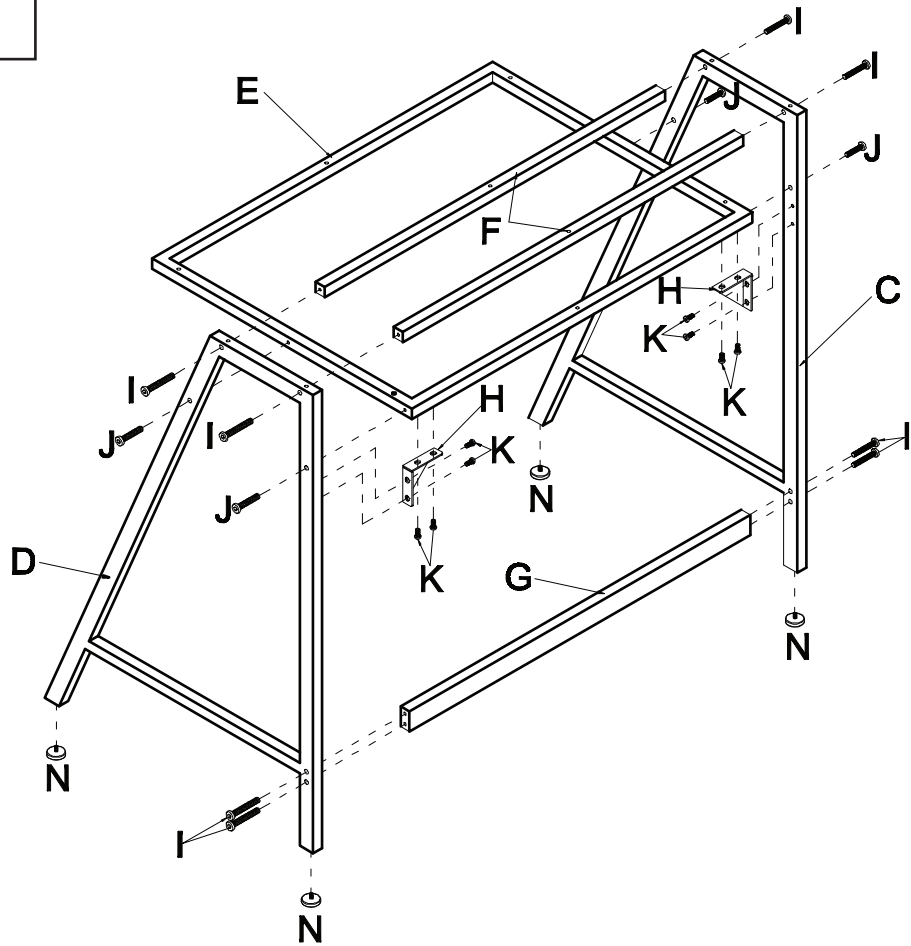


N x 4PCS

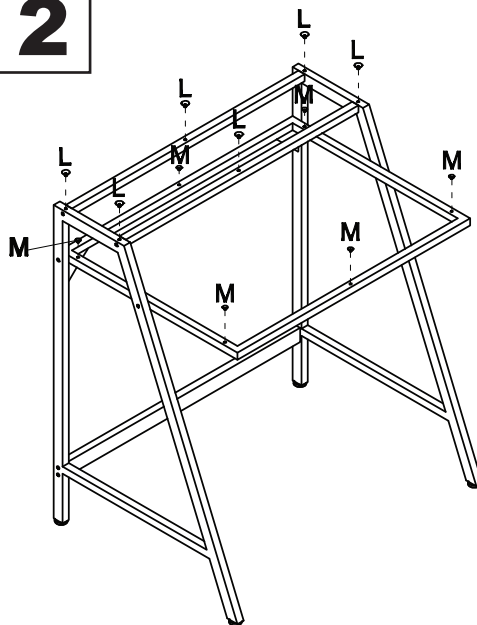


O x 1PC

1



2



3

