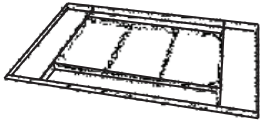


Part # DT-TW-AU6032 XX

16-0627

PARTS

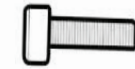


A



x4

B



(M6 x 16mm)

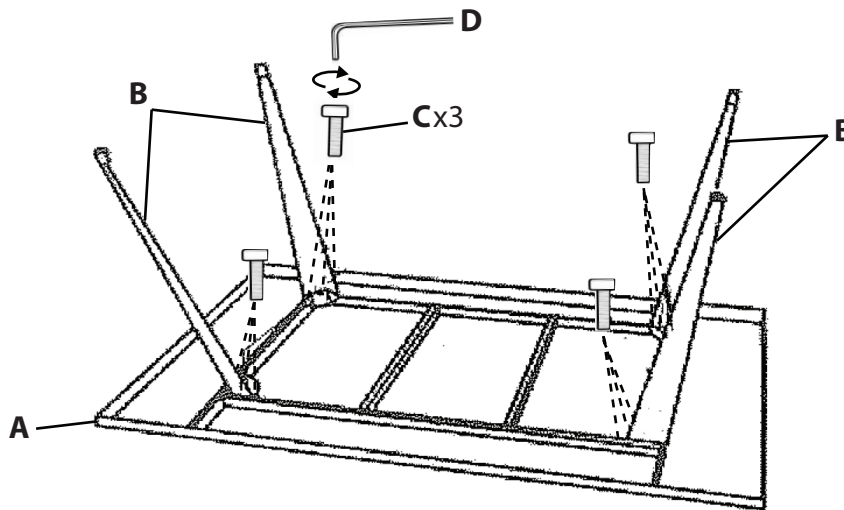
x12

C

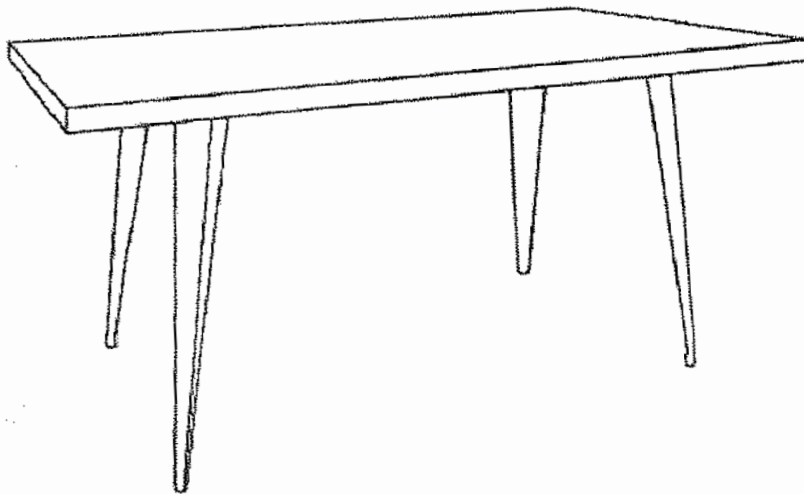


D

1



2



Do not over tighten.
 Do not use power tools to assemble.