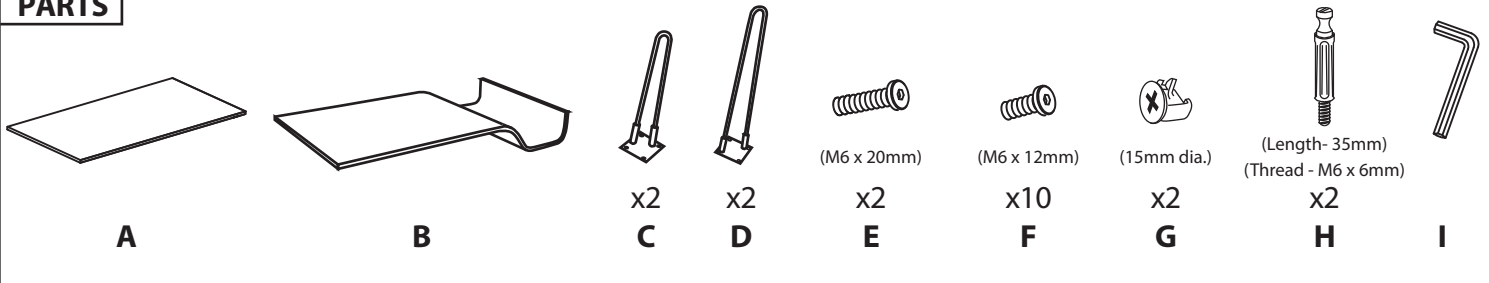


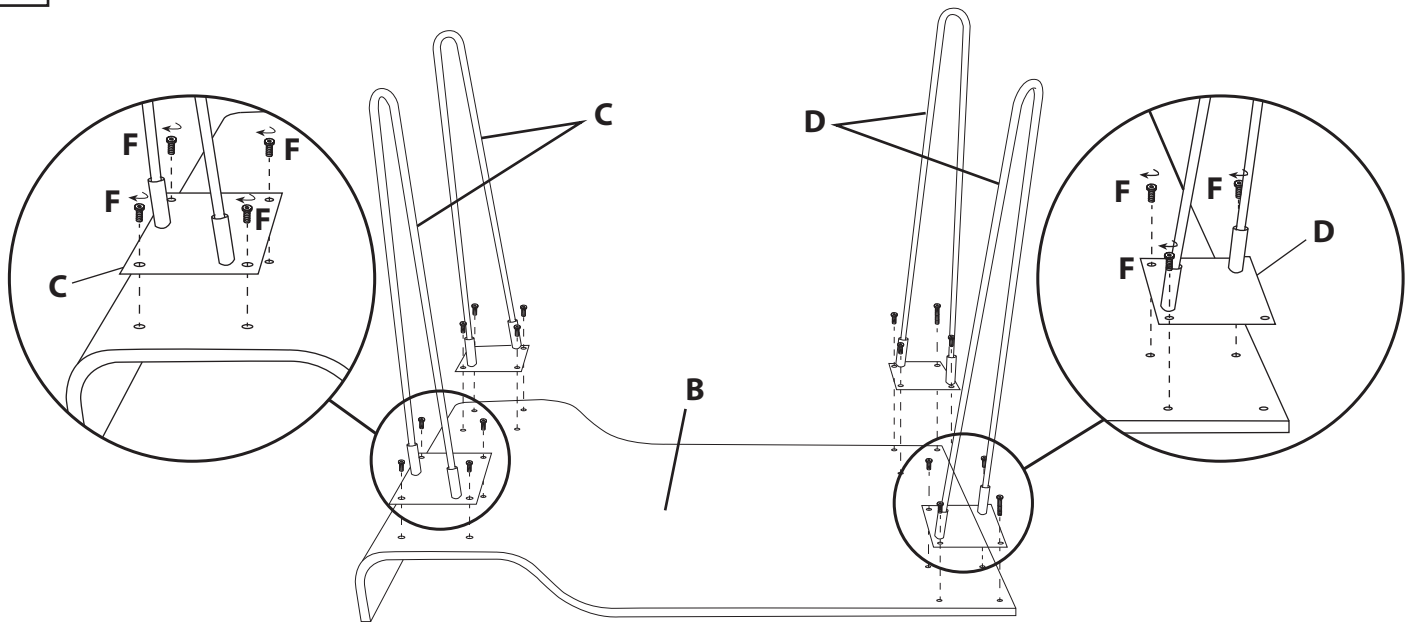
Part # OFD-AVERY-WL

19-0710

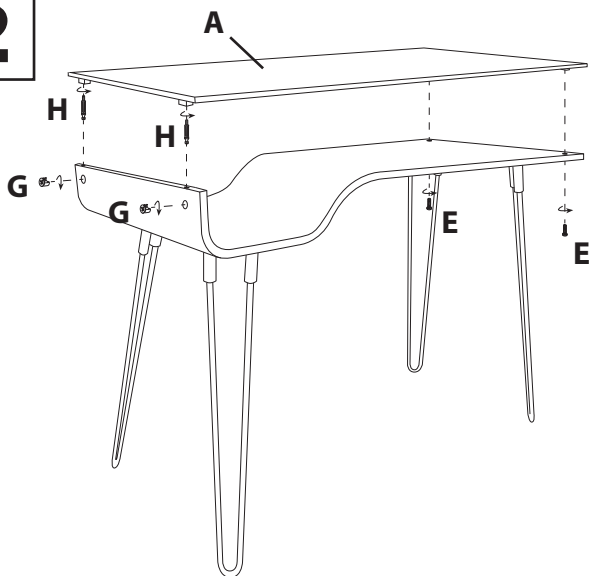
PARTS



1



2



3

