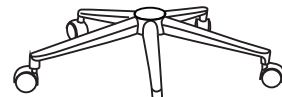
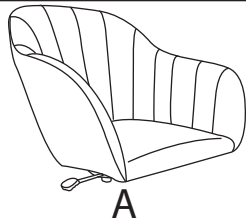


Shelton Office Chair

Part # OCTJ-SHLS1 XX

16-0517

PARTS

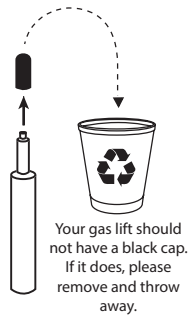


A

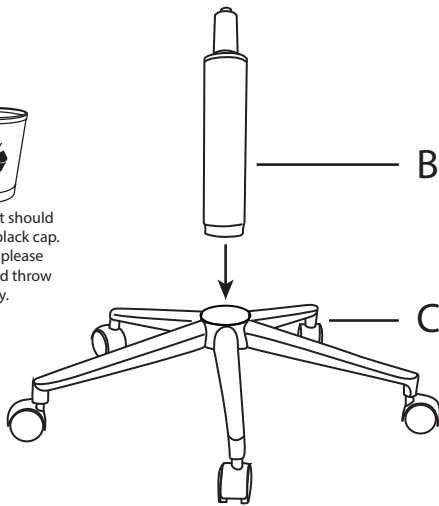
B

C

1



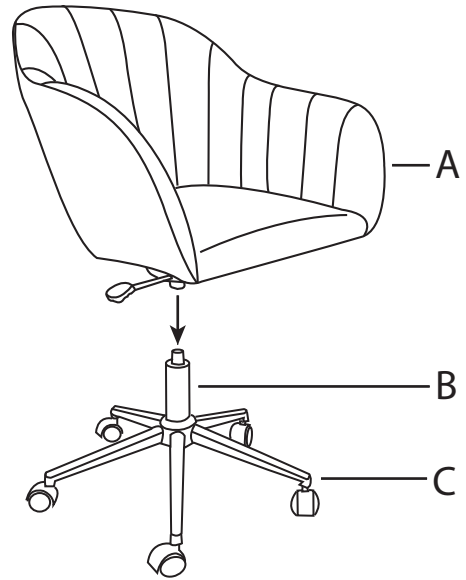
Your gas lift should not have a black cap. If it does, please remove and throw away.



B

C

2

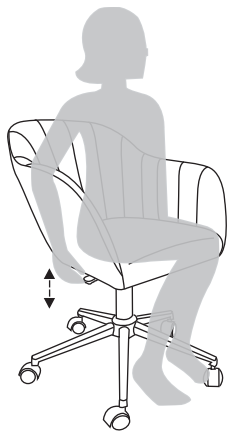


A

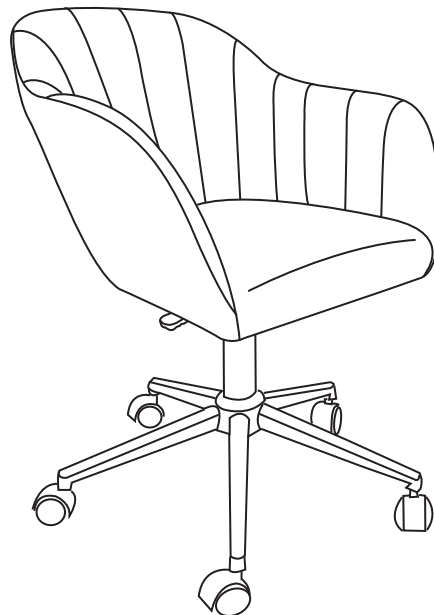
B

C

3



SIT TO SECURE



Do not over tighten.
 Do not use power tools to assemble.