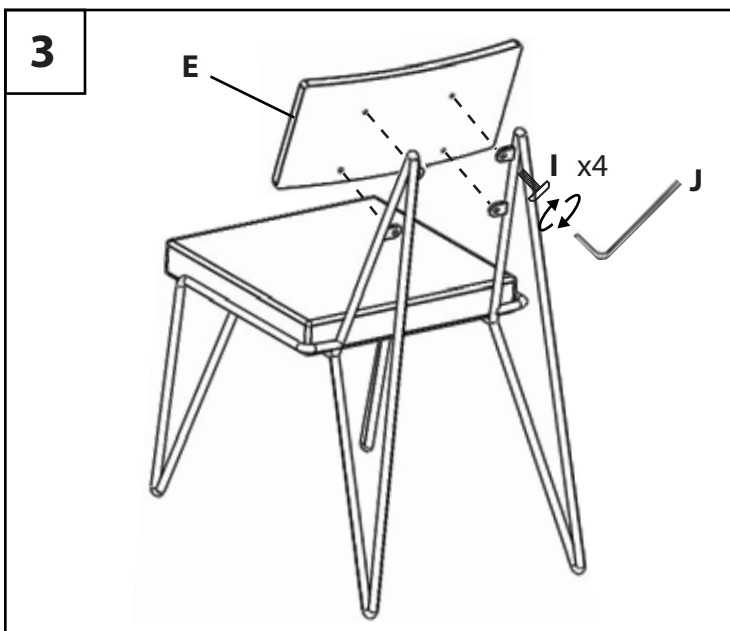
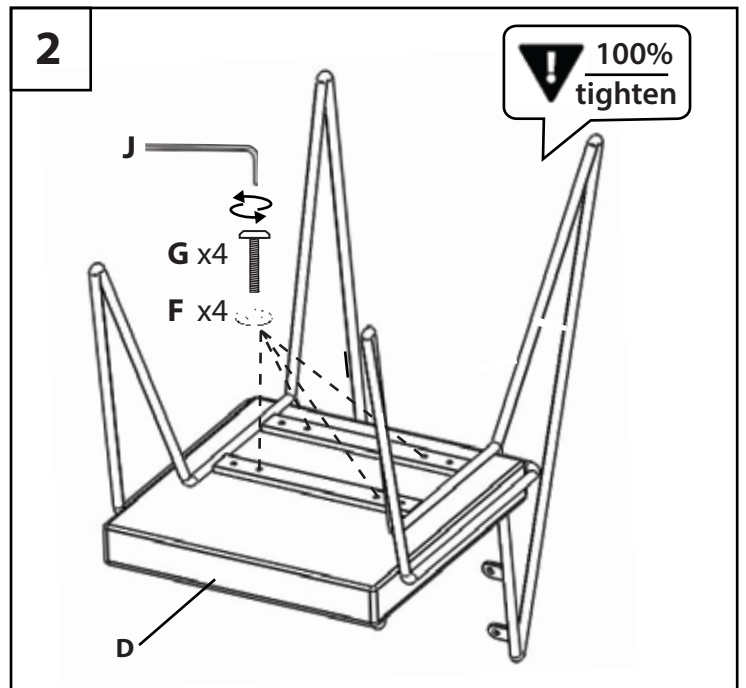
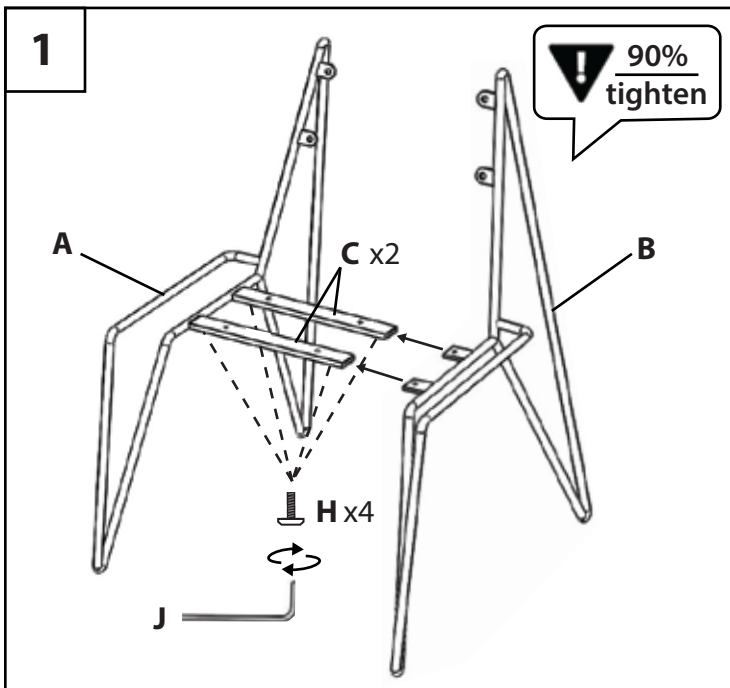
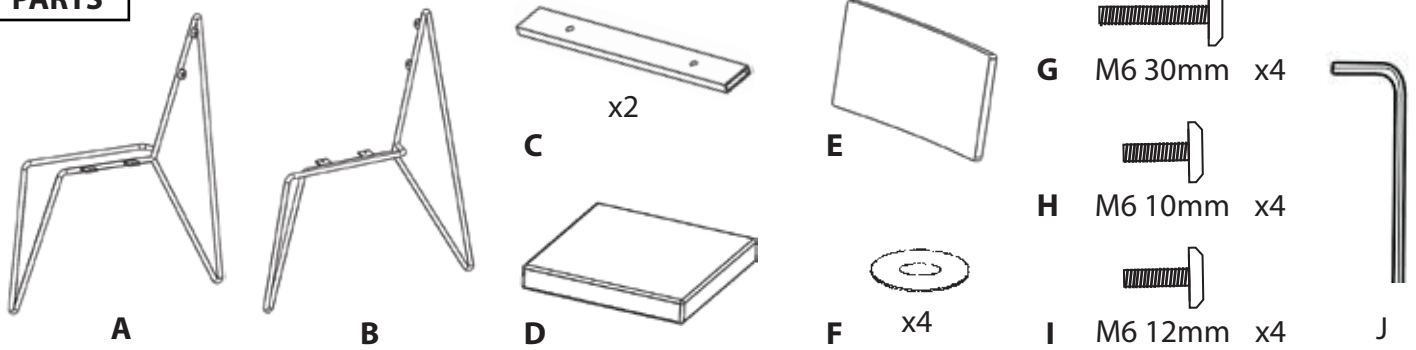


Part # CH-LOFT XX+XX

19-1213

PARTS



Do not over tighten.
 Do not use power tools to assemble.