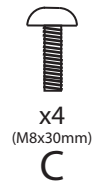
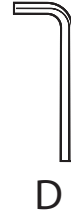
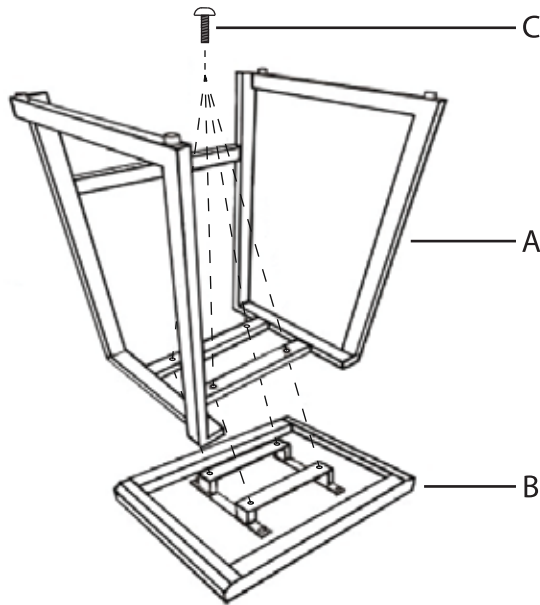
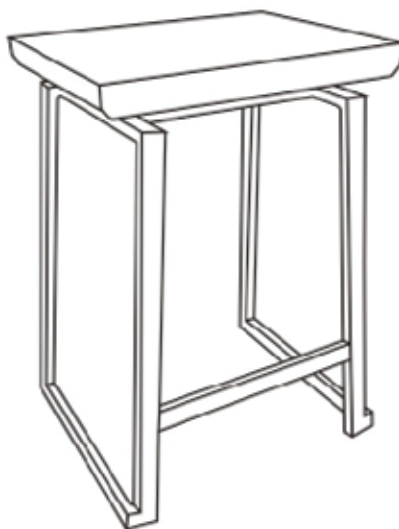


Part # CS-GEO XX+XX

20-0320

PARTSx4
(M8x30mm)**1****2**

Do not over tighten.
Do not use power tools to assemble.