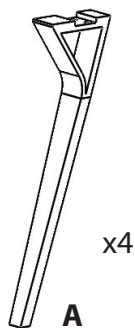


# FOLIA DINING TABLE

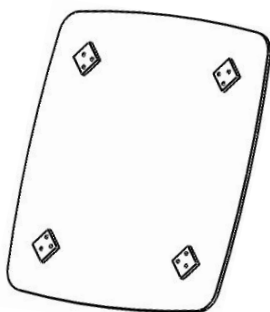
Part # DT-FOLIA XX+CL

17-1127

**PARTS**



x4



M8 20mm

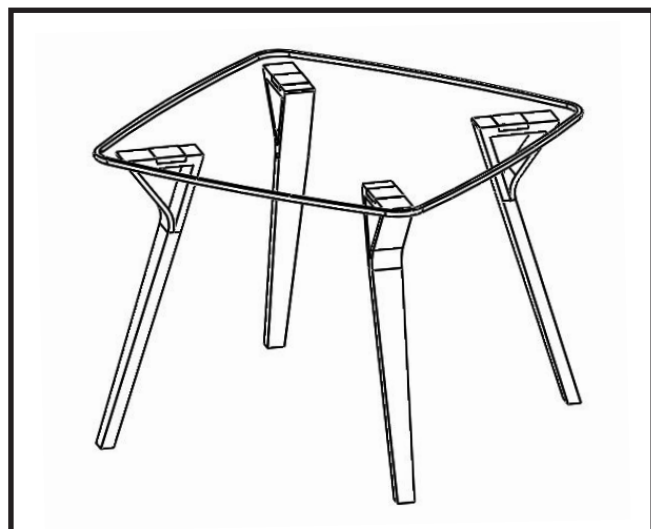
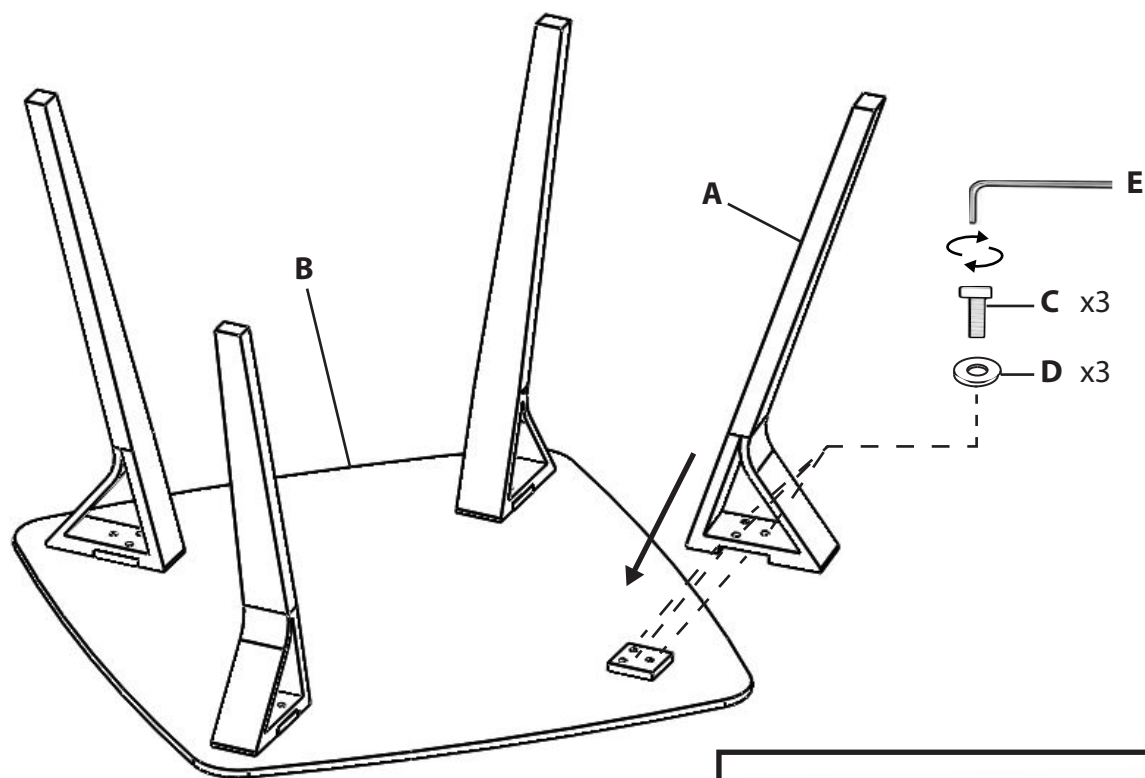
x12

C



x12

D



Do not over tighten.  
 Do not use power tools to assemble.