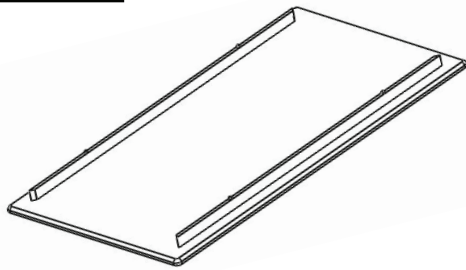


# SEDONA COUNTER TABLE

Part # CT-SDNA XX+XX

17-1109

**PARTS**



**A**



**B**



**C**



**D** M8 20mm



**F** x20

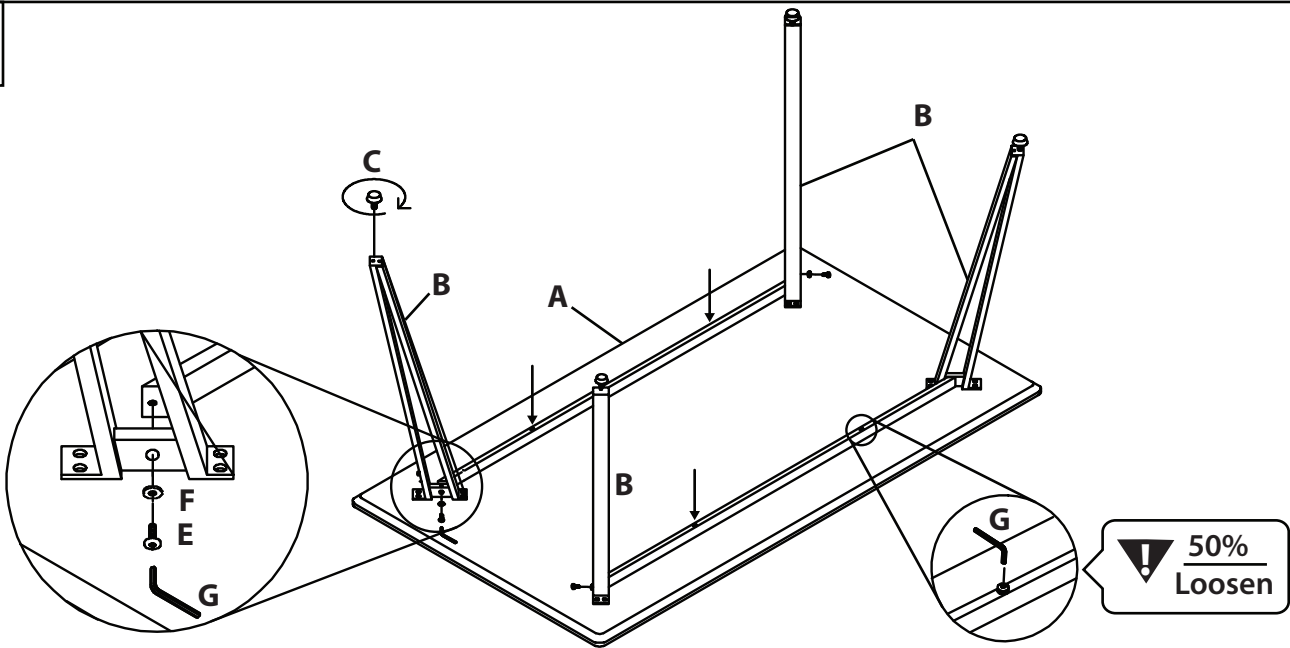


**E** M8 30mm

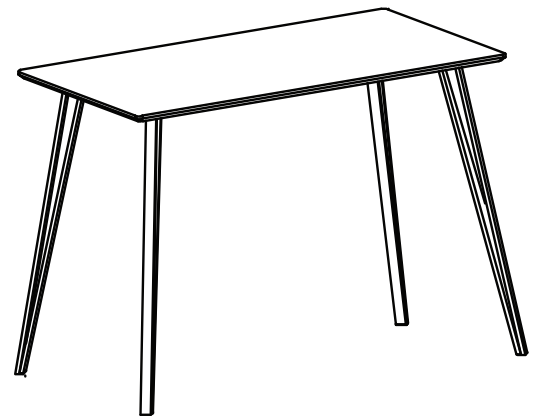
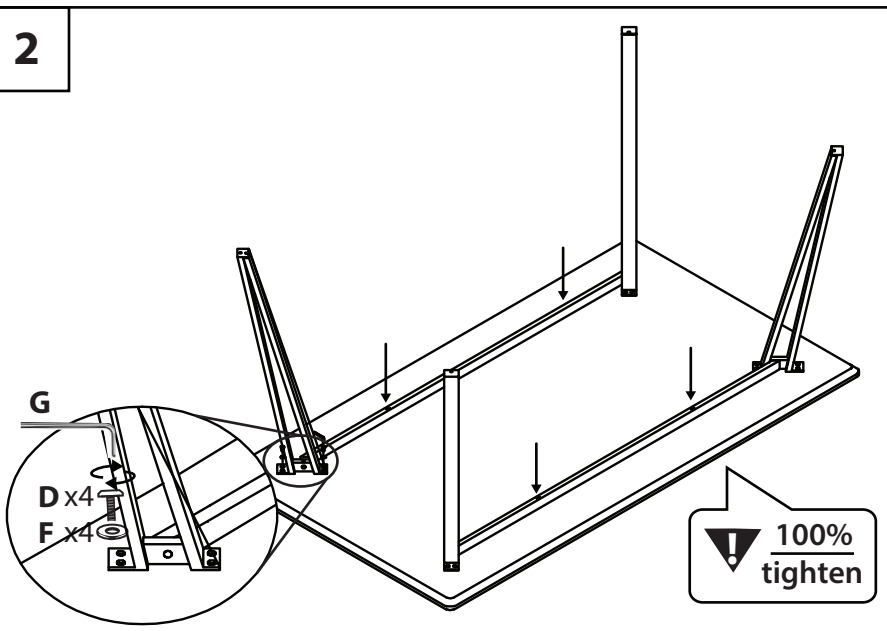


**G**

**1**



**2**



Do not over tighten.  
 Do not use power tools to assemble.