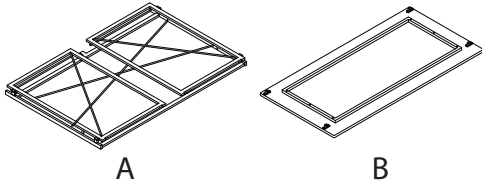


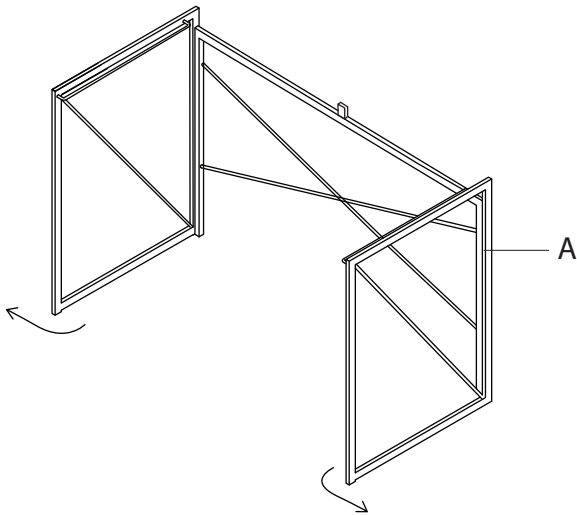
Part # OFD-DAKOTA BK+BN

20-0521

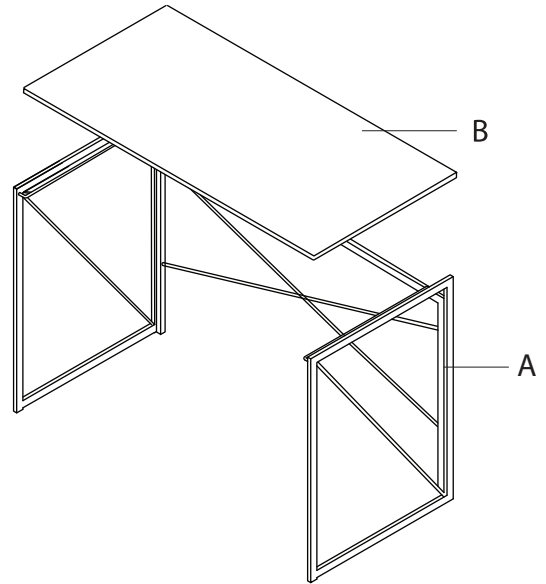
PARTS



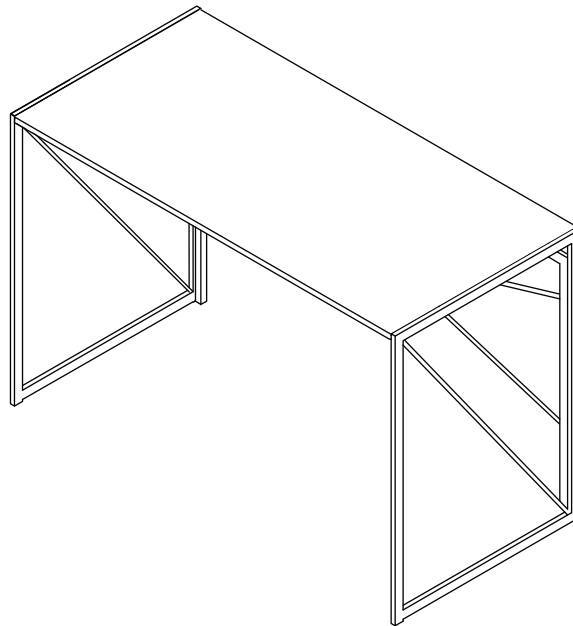
1



2



3



Do not over tighten.
Do not use power tools to assemble.