

# Marche Two Tone Chair

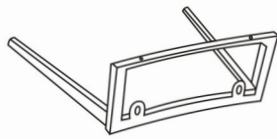
Part #CH-MAR XX+XX2

18-0103

PARTS

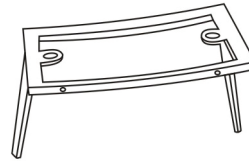


A



FRONT

B



BACK

C

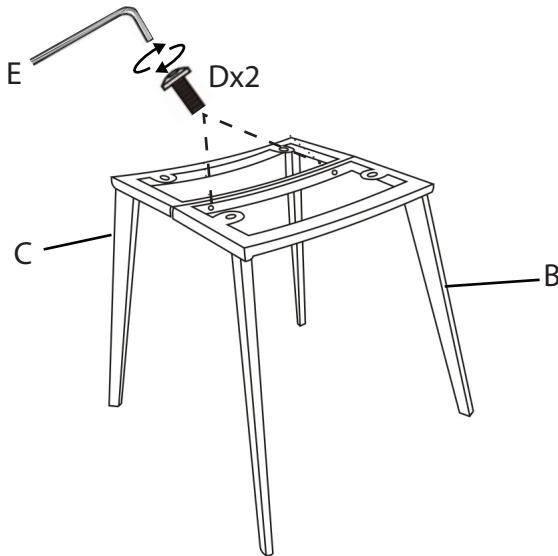


D M6 16mm  
x6

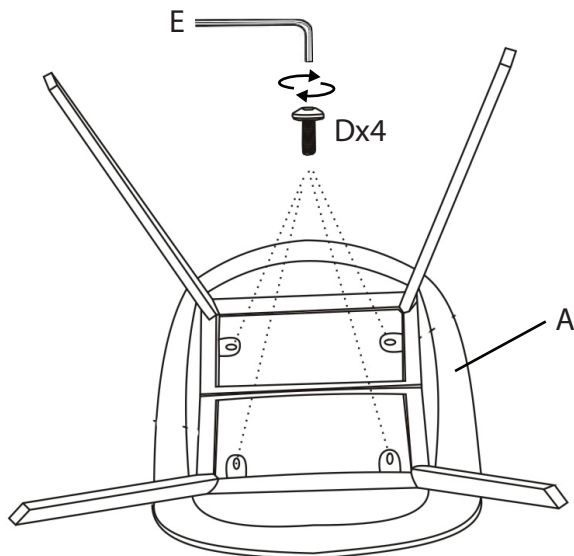


E

1



2



Do not over tighten.  
 Do not use power tools to assemble.