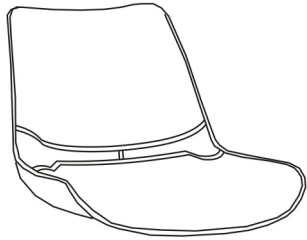


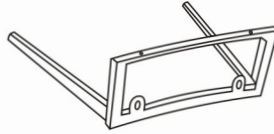
Part #CH-WYN XX+XX

18-0103

PARTS

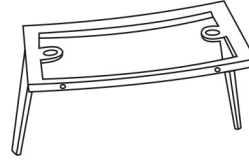


A



FRONT

B



BACK

C

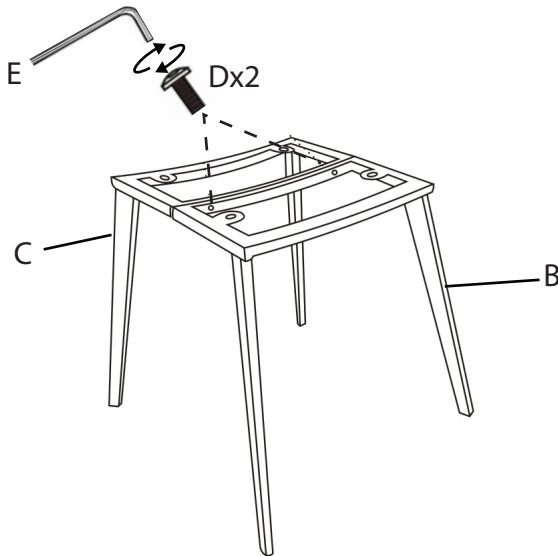


D M6 16mm
x6

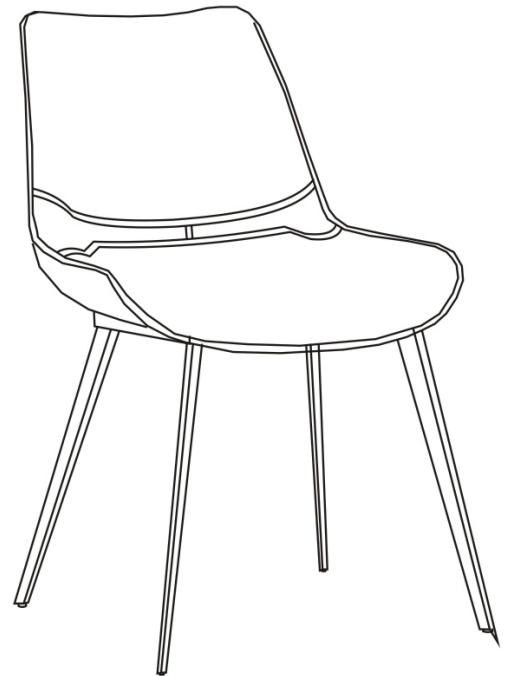
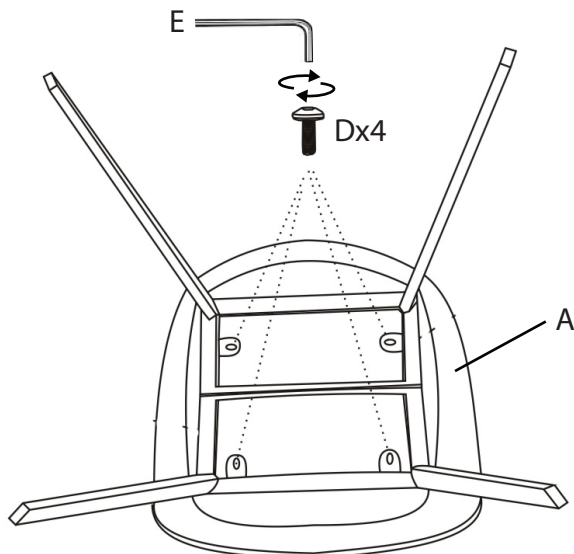


E

1



2



Do not over tighten.
 Do not use power tools to assemble.