
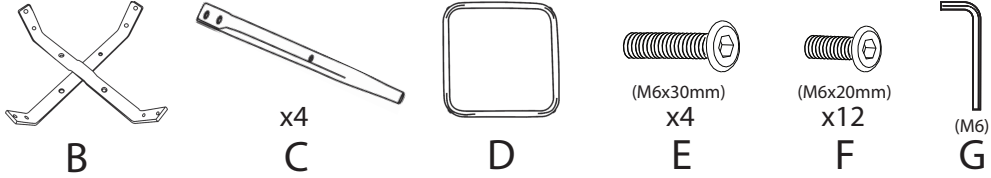



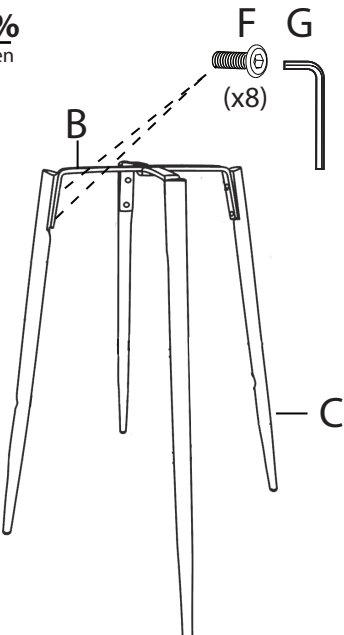
Margarite Fixed Height Stool Frame


Part # L23/L27 MARG XX

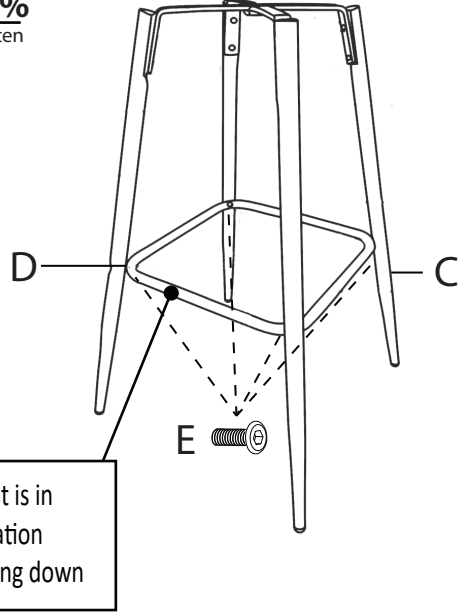
21-0909

 <p>(Seat may vary) A</p>	<p>PARTS</p>  <p>B C x4 D E (M6x30mm) x4 F (M6x20mm) x12 G (M6)</p>
--	---


1  **80%**
tighten

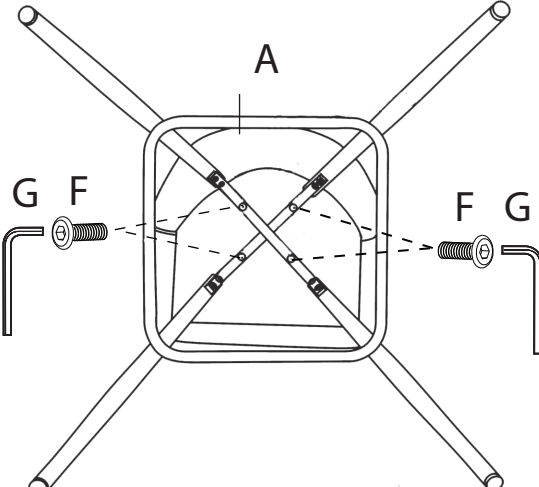


2  **80%**
tighten

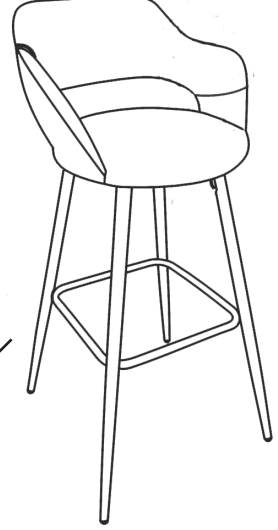


Ensure footrest is in correct orientation with holes facing down


3  **80%**
tighten



4



(Seat May Vary)

 **100%**
tighten

⚠ WARNING:

- Read all instructions carefully and completely before assembly and use. Retain for future reference.
- Keep plastic bags and small parts away from children.
- For residential (non-commercial) use only.
- DO NOT stand on product. Use only for intended table purpose.
- Max weight limit 250 lbs.
- Periodically check for loose hardware; retighten as necessary.
- DO NOT use product if any component becomes damaged.
- DO NOT use power tools to assemble OR overtighten hardware.