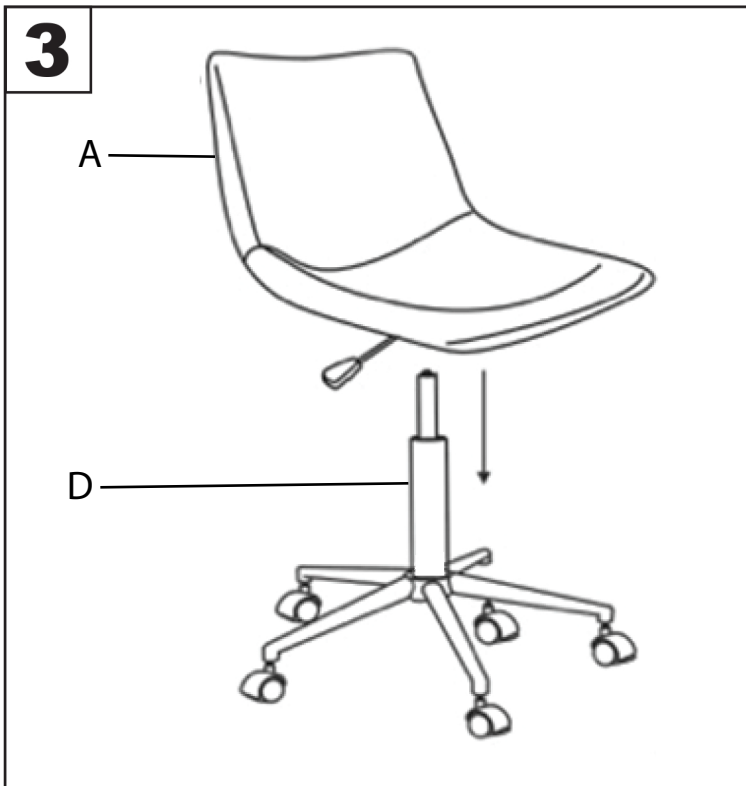
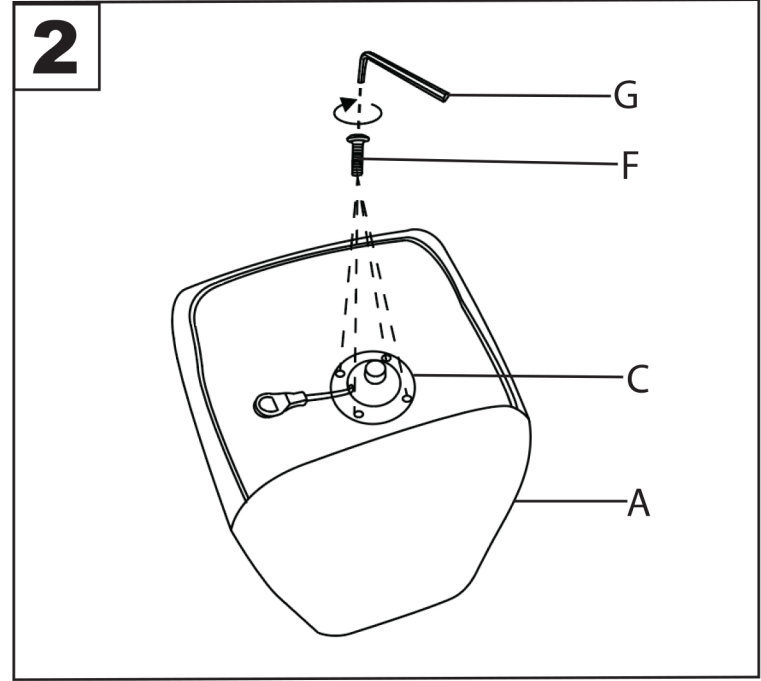
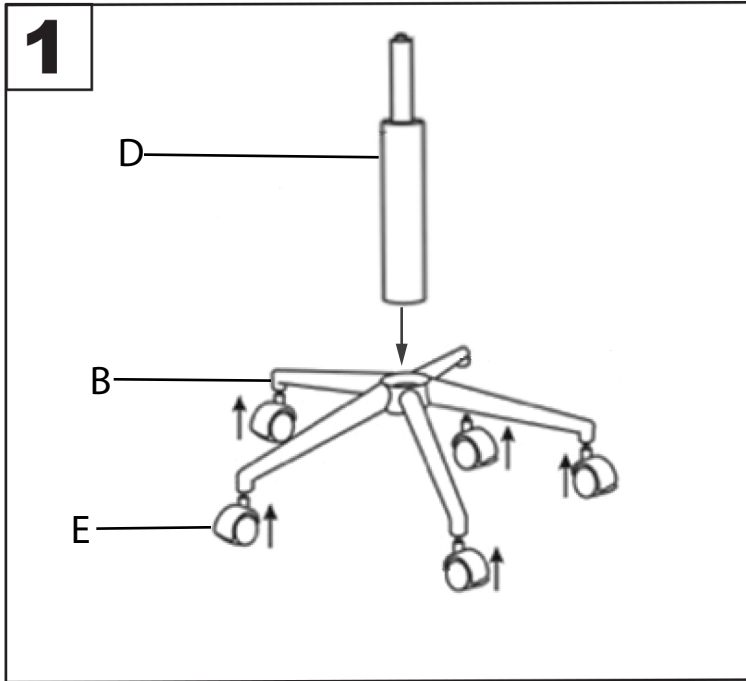
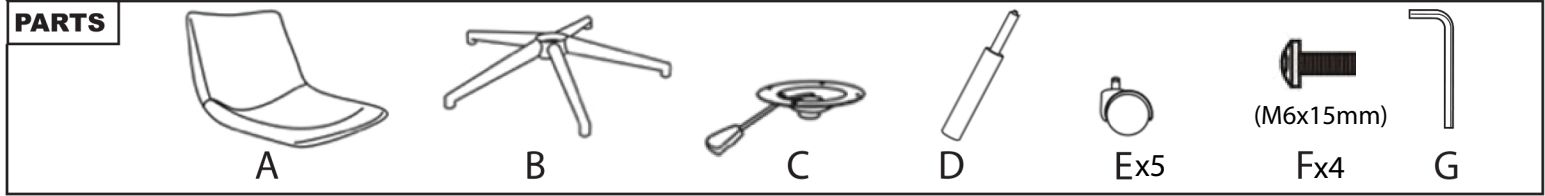


Part # OC-DUKZ XX+XX

18-0529



Do not over tighten.
 Do not use power tools to assemble.