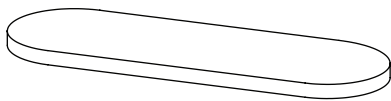


# Canary Bench

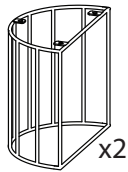
Part # BC-CNRY XX+XX

170518

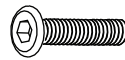
**PARTS**



A



B



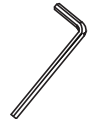
x6  
(m6x16mm)

C



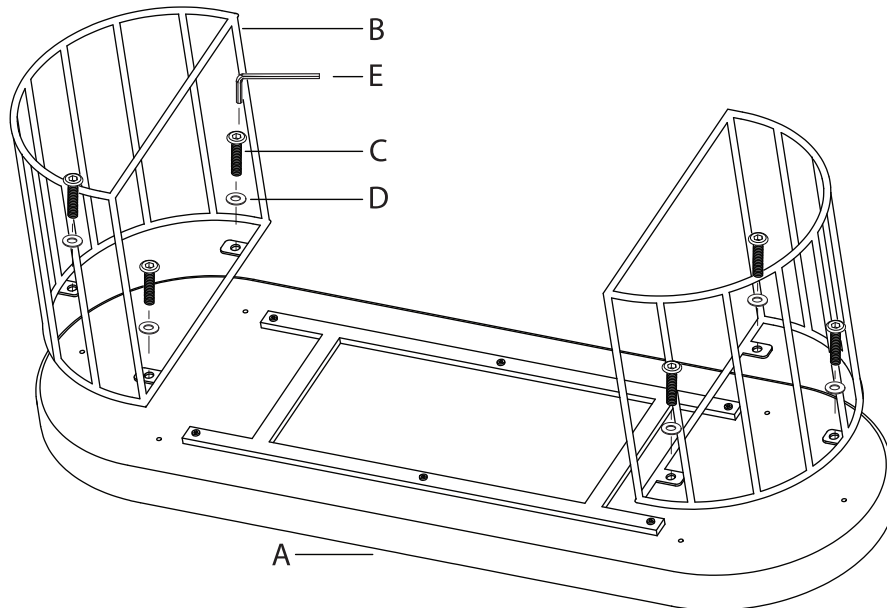
x6

D

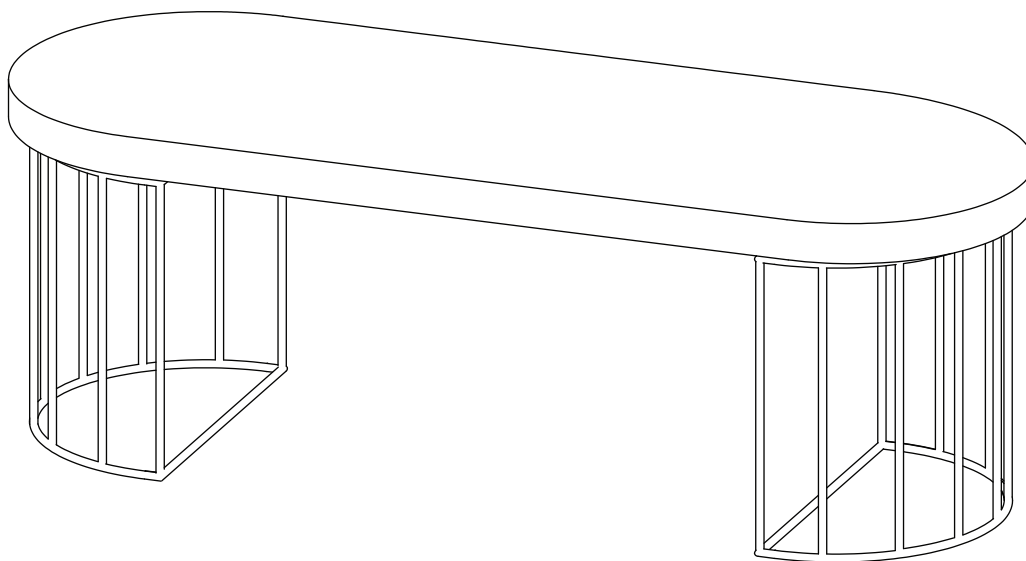


E

**1**



**2**



Do not over tighten.  
 Do not use power tools to assemble.