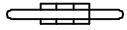


# Hydra Barstool

Part # BS-HYDR xx+xx

17-0803

**PARTS**



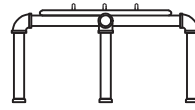
A



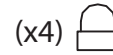
B



C



D



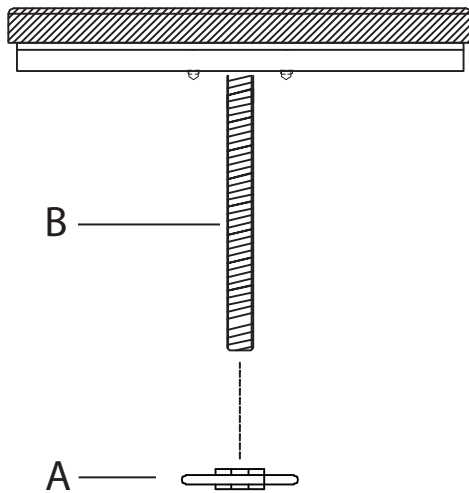
(x4)

E

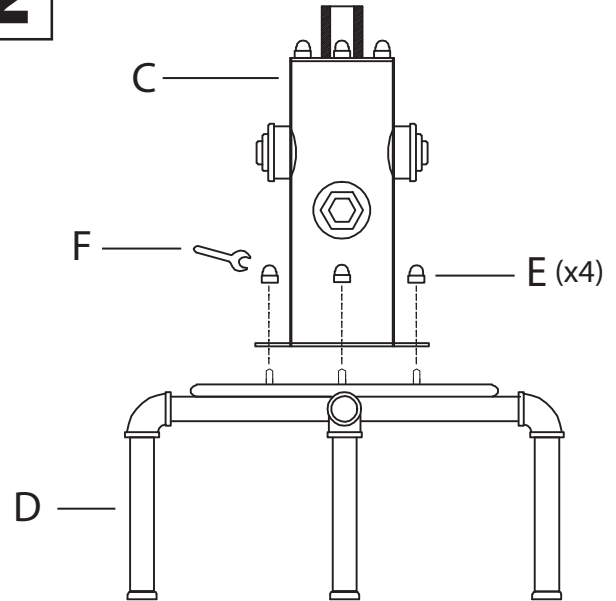


F

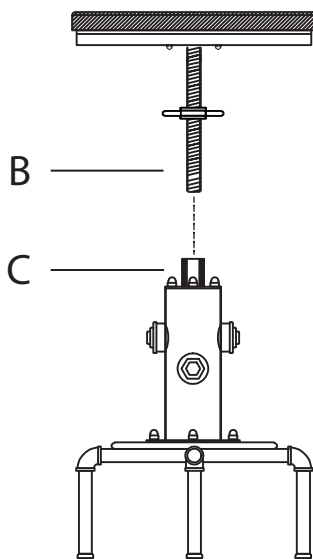
**1**



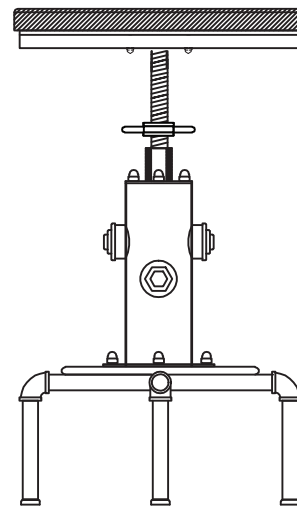
**2**



**3**



**4**



Do not over tighten.  
 Do not use power tools to assemble.