

GEO DINING TABLE

Part # DT-GEOXX

2018.12.08

PARTS



A×1



B×1



C×1



D×1



E×1



F×1



(M6 x 14mm)

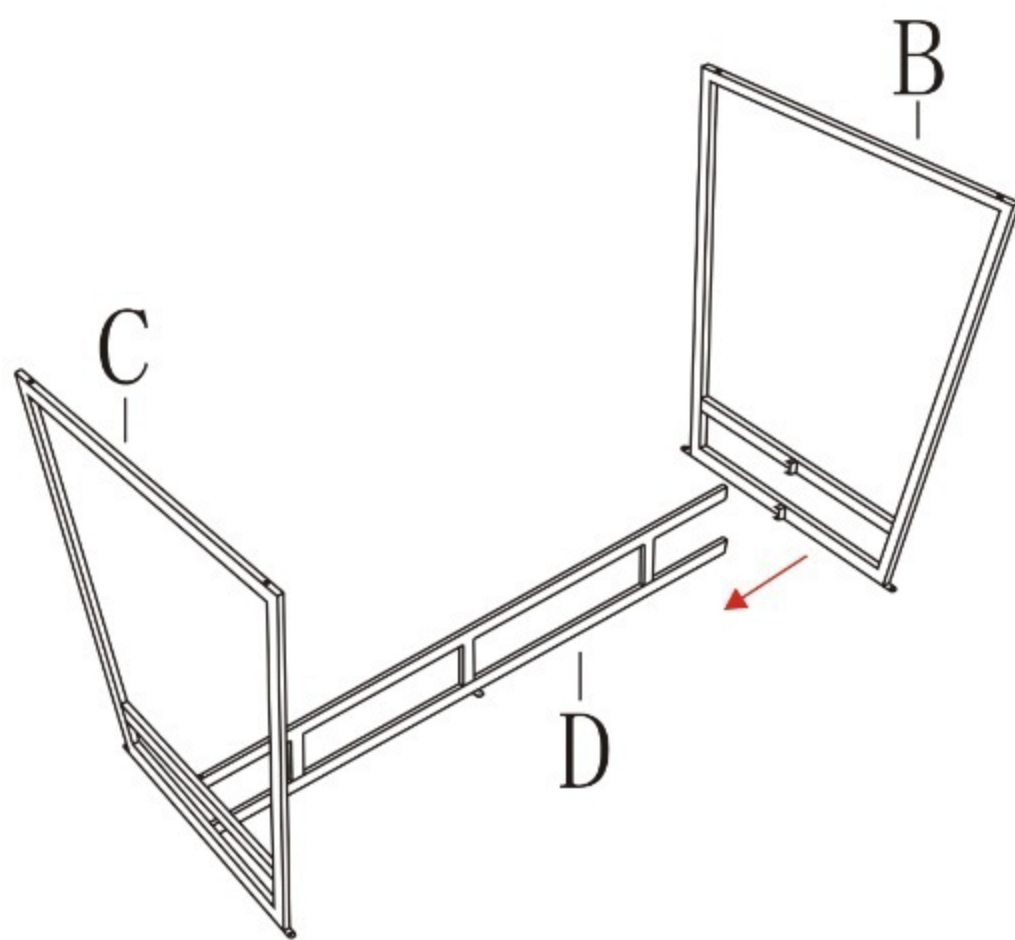
G×6



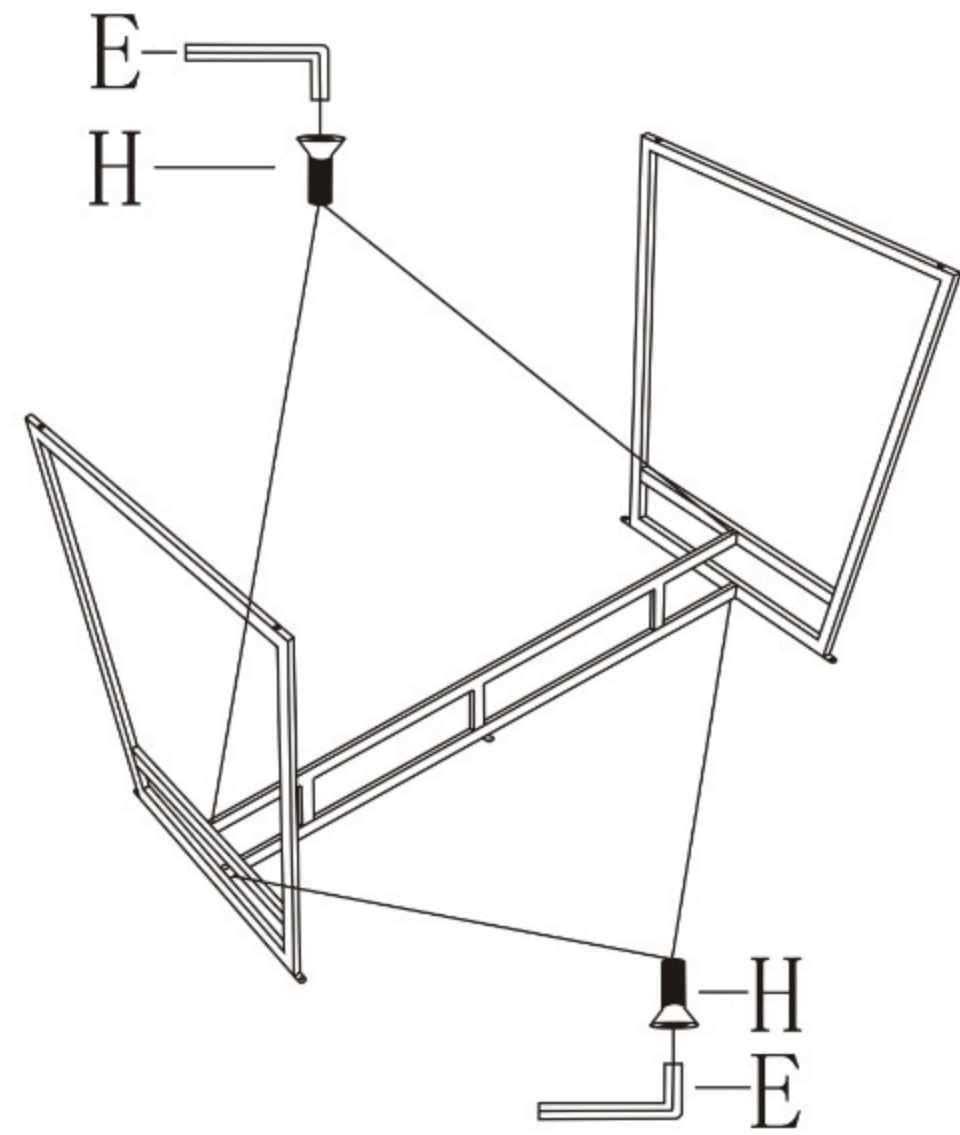
(M6 x 10mm)

H×4

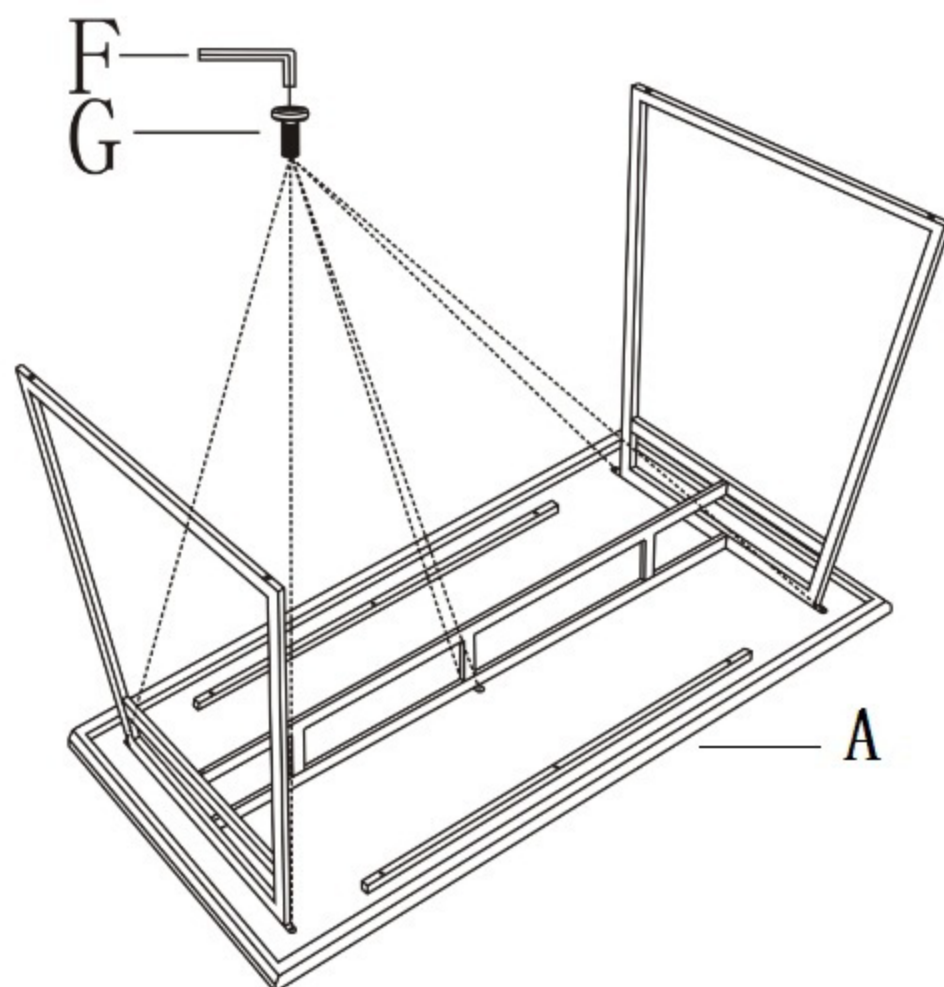
1



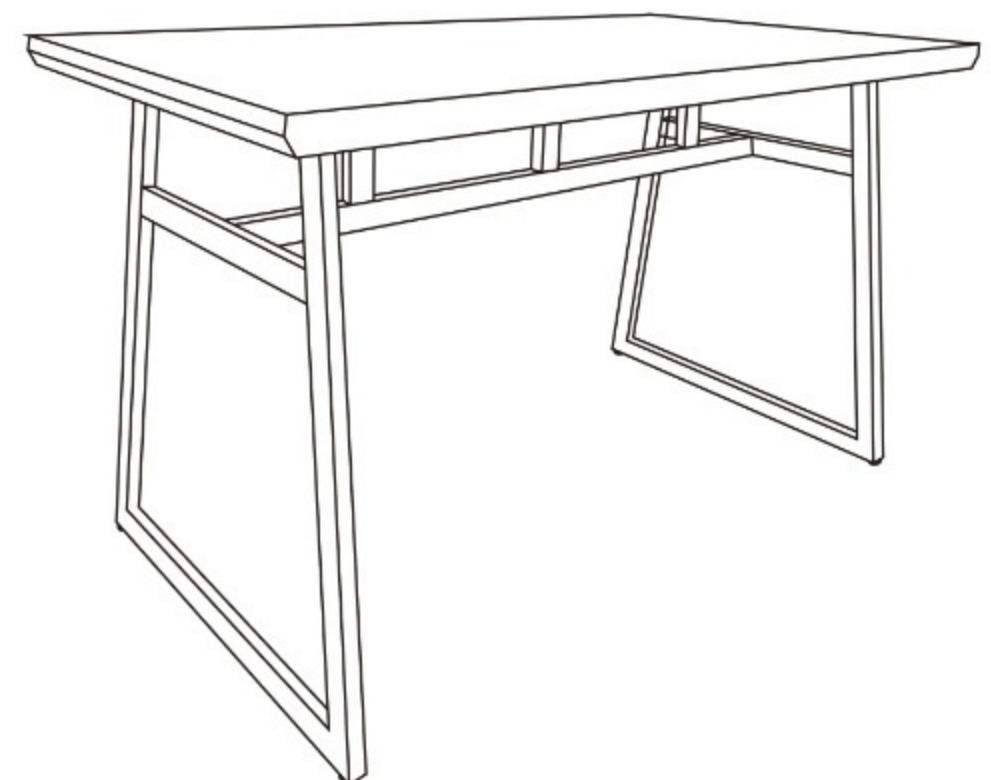
2



3



4



Do not over tighten.
Do not use power tools to assemble.