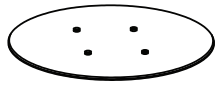


Cosmo Dining Table

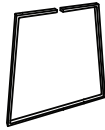
Part # DT-COSMO2 XX+XX

18-1128

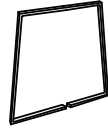
PARTS



A



B



C



x2
D



x4
E



(M8x25mm)

x4
F



(M6x15mm)

x6
G



(M8)

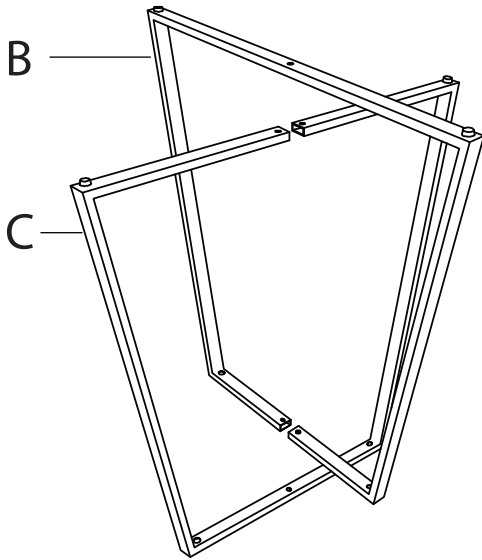
H



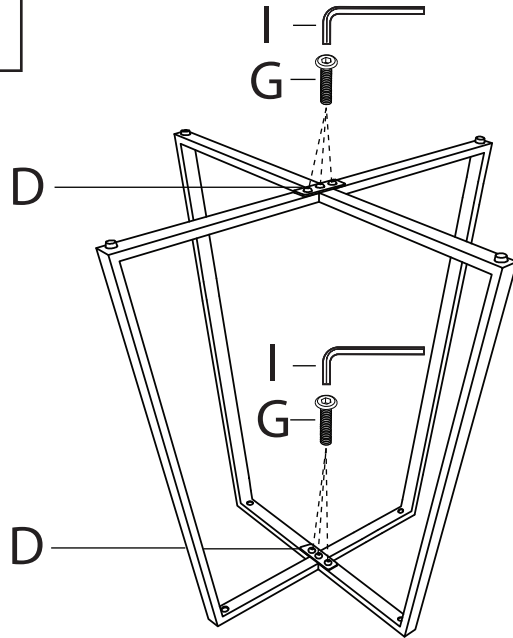
(M6)

I

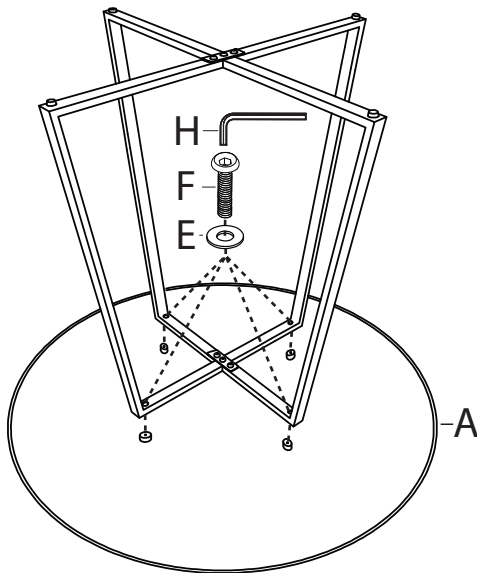
1



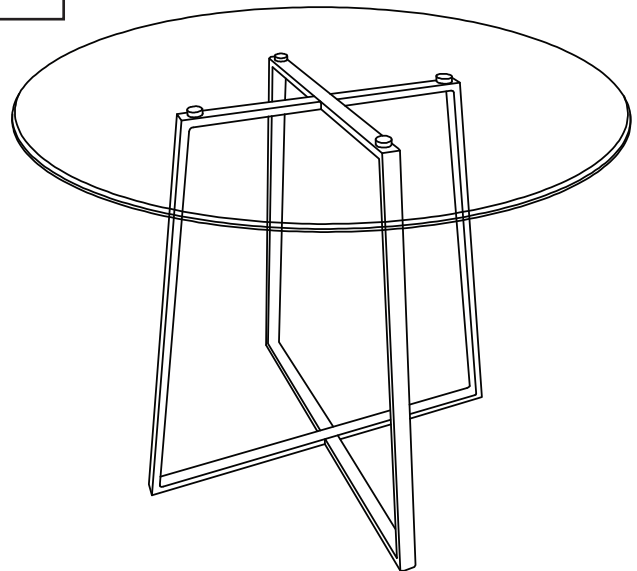
2



3



4



Do not over tighten.
Do not use power tools to assemble.