

Midas Storage Bench

Part # OT-MIDASTOR XX+XX

21-1201

PARTS



A



B



x6
(M6x14mm)

C



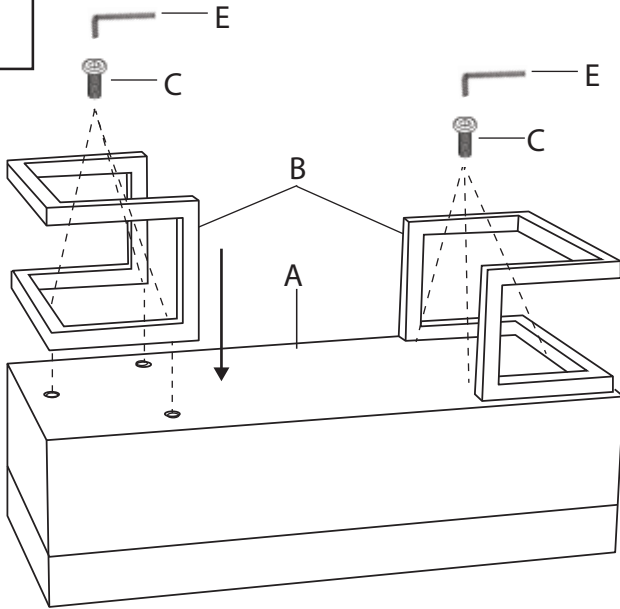
x8
(M12x13mm)

D

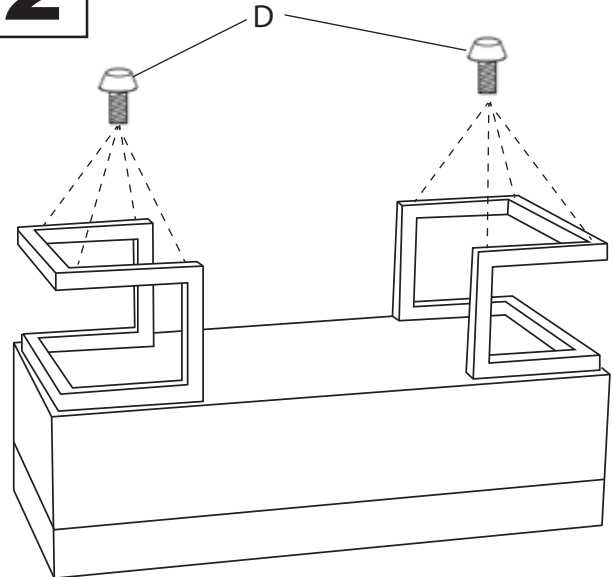


x1
E

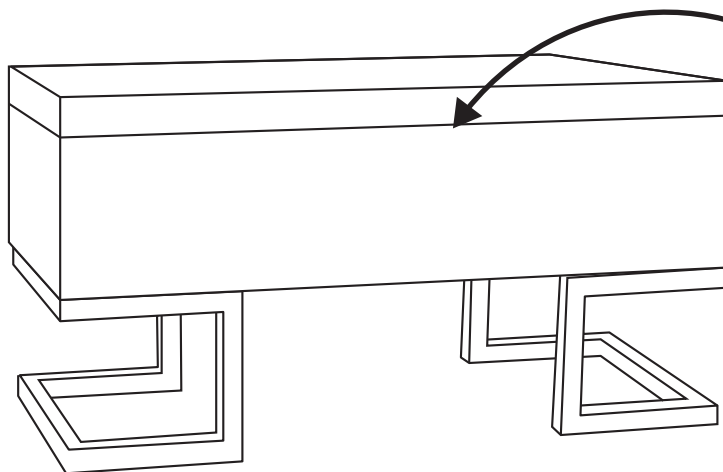
1



2



3



**WARNING: SUFFOCATION RISK.
 ATTENTION: RISQUE DE SUFFOCATION.
 ADVERTENCIA: RIESGO DE ASFIXIA.**



Do not over tighten.
 Do not use power tools to assemble.