

Waco Upholstered Chair

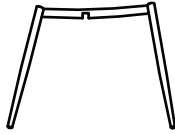
Part # CH-WACOUP XXXX

19-0423

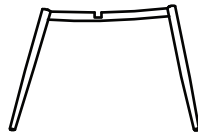
PARTS



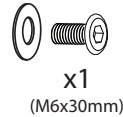
A



B

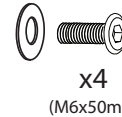


C



x1
(M6x30mm)

F



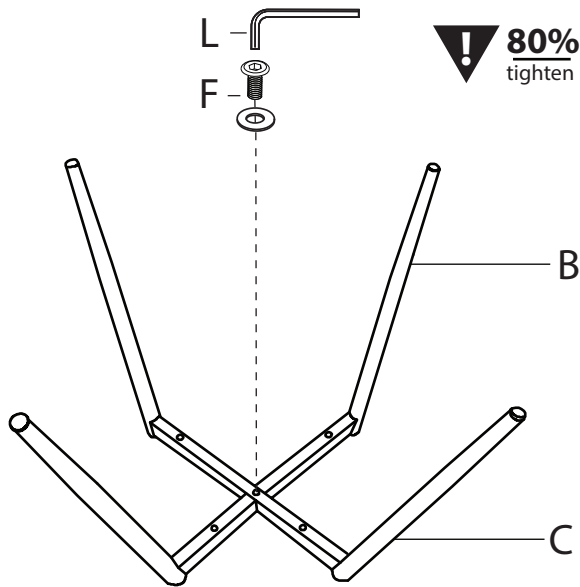
x4
(M6x50mm)

G

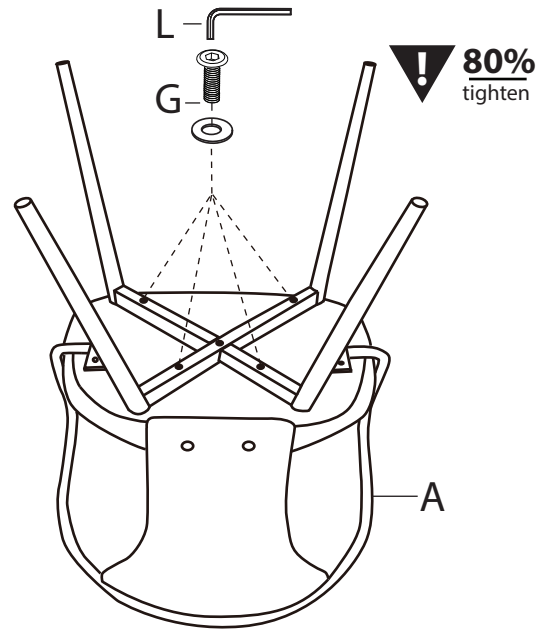


L

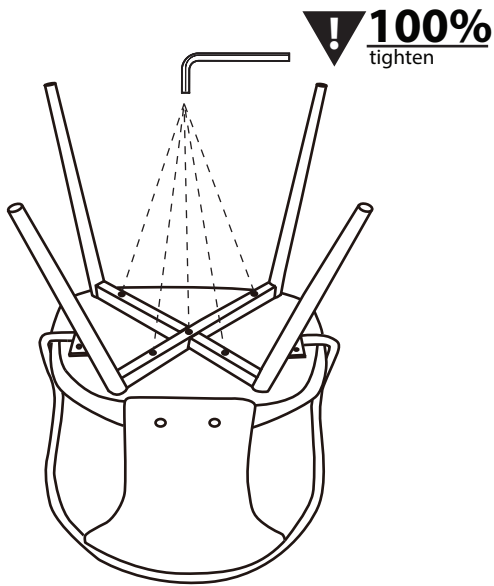
1



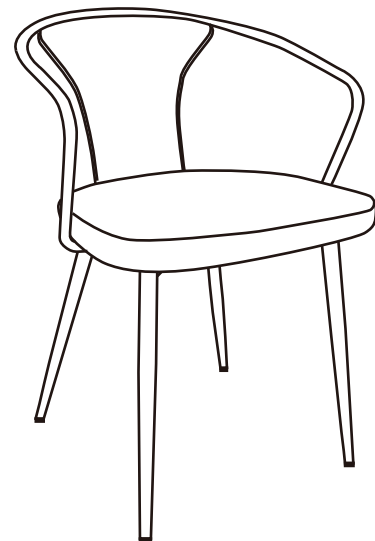
2



3



4



Do not over tighten.
 Do not use power tools to assemble.