

Part # CHR-OREGON XXXX

19-0509

**PARTS**

A



B

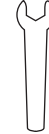


x4

C

x4  
(M6x15mm)

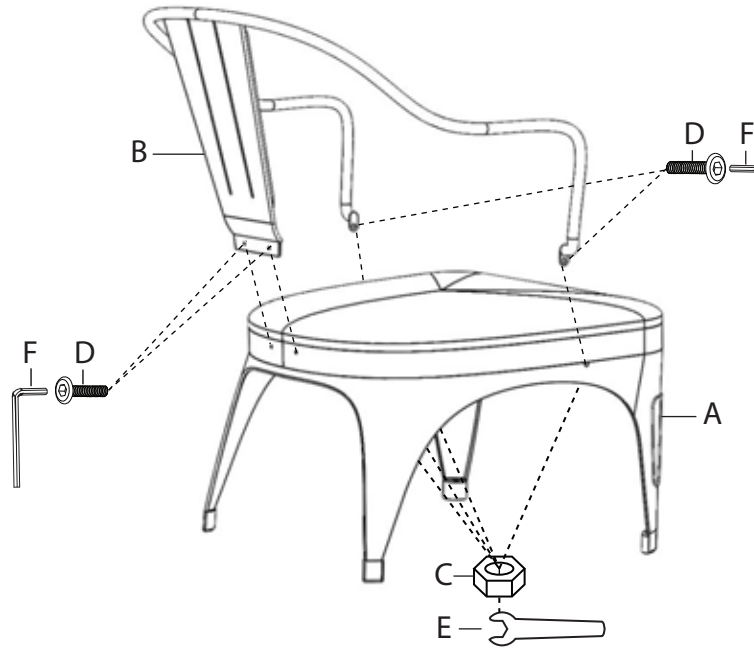
D



E



F

**1****2**

Do not over tighten.  
Do not use power tools to assemble.