

Rhonda Counter Stool

Part # B26-RHONDA XX

19-0910

PARTS



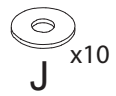
x2
(M6x30mm)



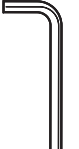
x6
(M6x25mm)



x8
(M6x16mm)



x10



A

B

C

D

E

F

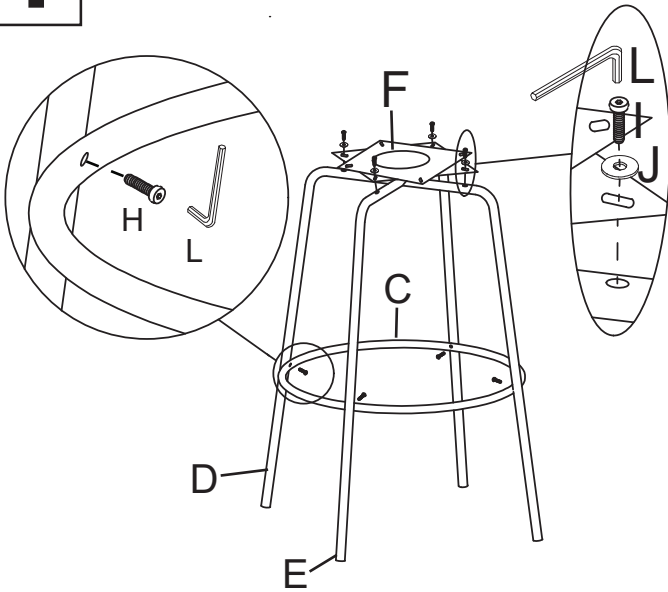
G

H

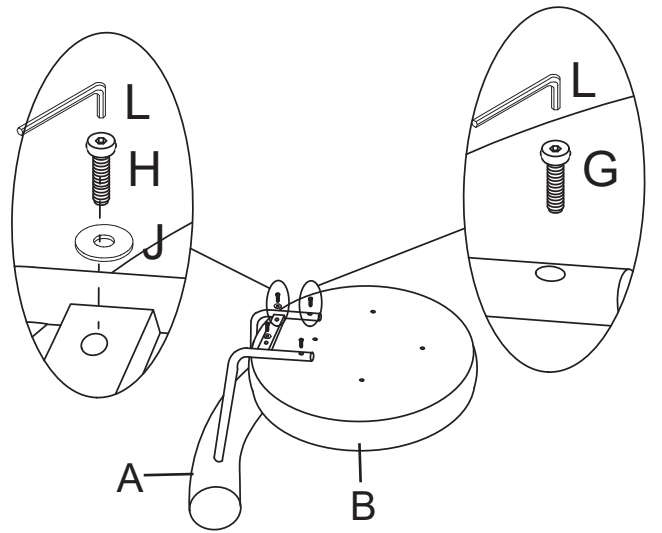
I

L

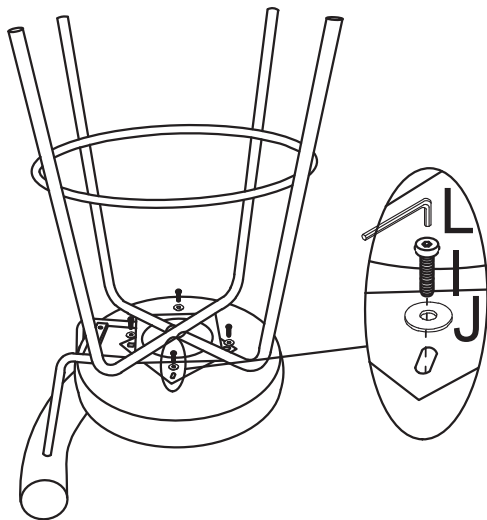
1



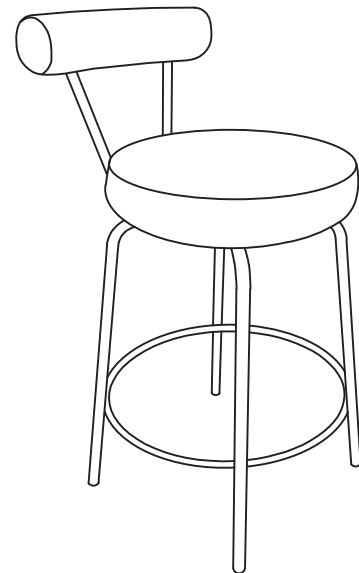
2



3



4



Do not over tighten.
 Do not use power tools to assemble.