

Part # CH-ODESSA-XX

19-0731

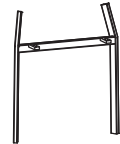
PARTS



A



B



C



x2
D



x8
(M6x12mm)
E



x4
(M6x25mm)
F

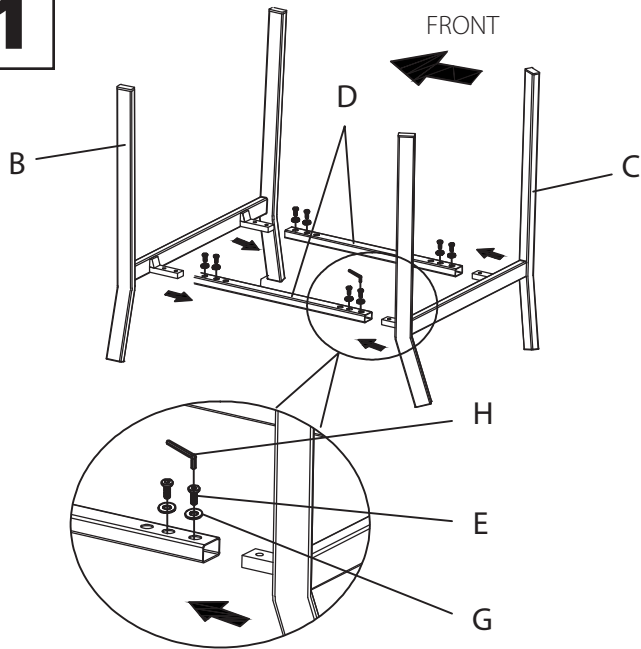


G

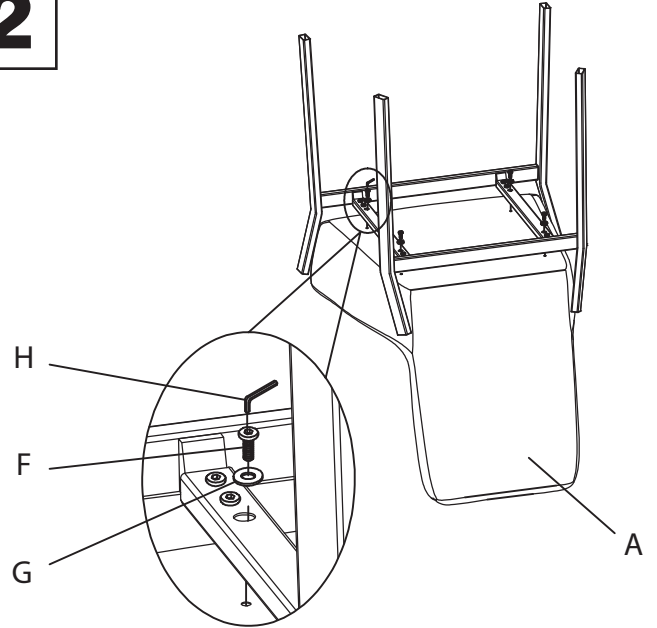


H

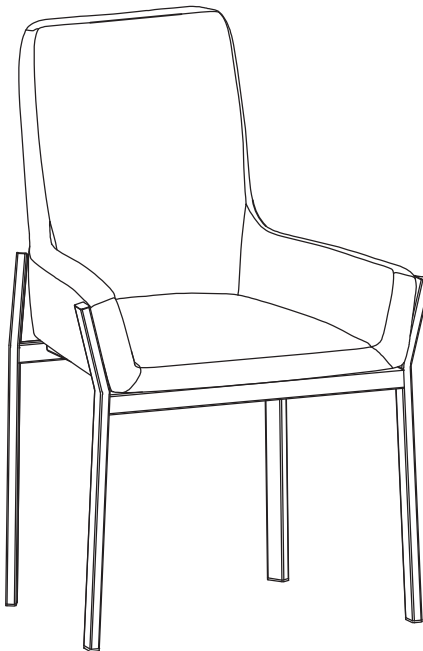
1



2



3



Do not over tighten.
Do not use power tools to assemble.