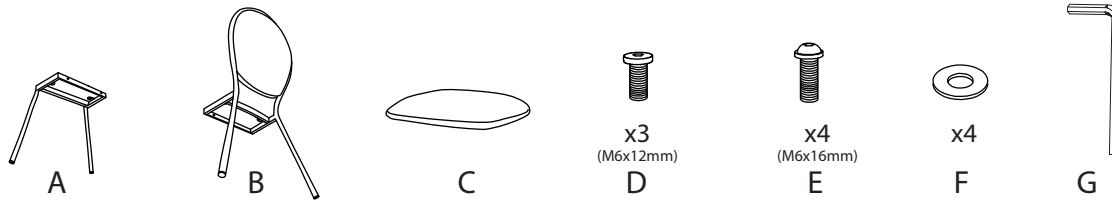


# Keyhole Dining Chair

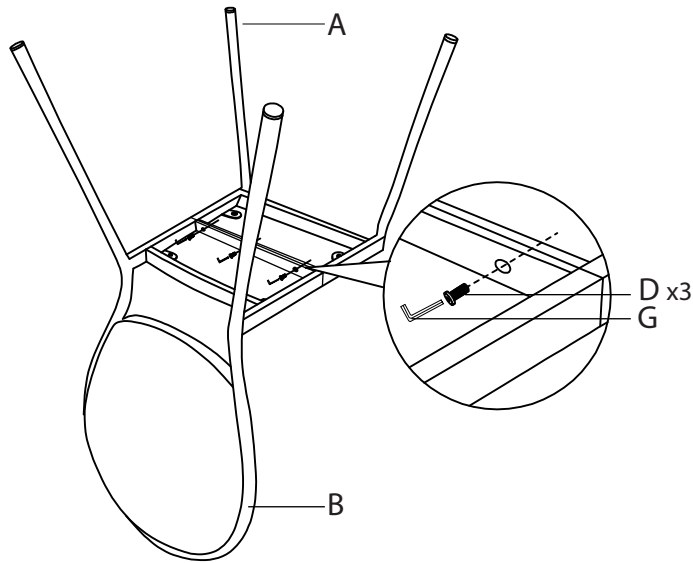
Part # DC-KEY XX+XX

20-0916

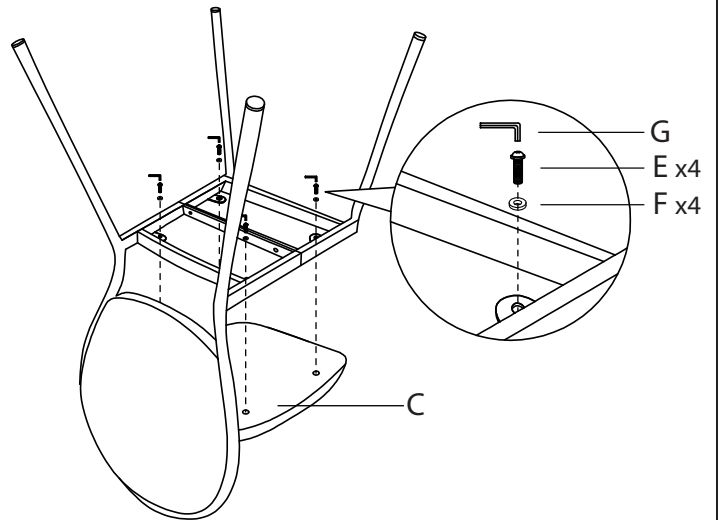
**PARTS**



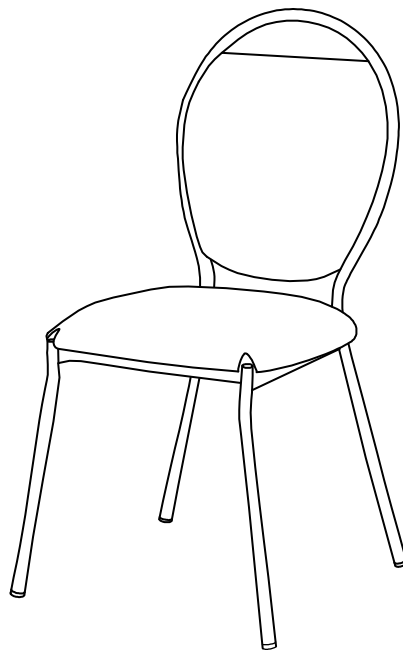
**1**



**2**



**3**



Do not over tighten.  
 Do not use power tools to assemble.