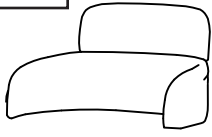


Napoli Chair

Part # CH-NAPOLI XX

19-0702

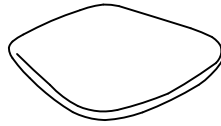
PARTS



A



B



C



x2
D
(m6 x 30mm)



x1
E
(m6 x 25mm)



x4
F



x4
G
(m6 x 25mm)

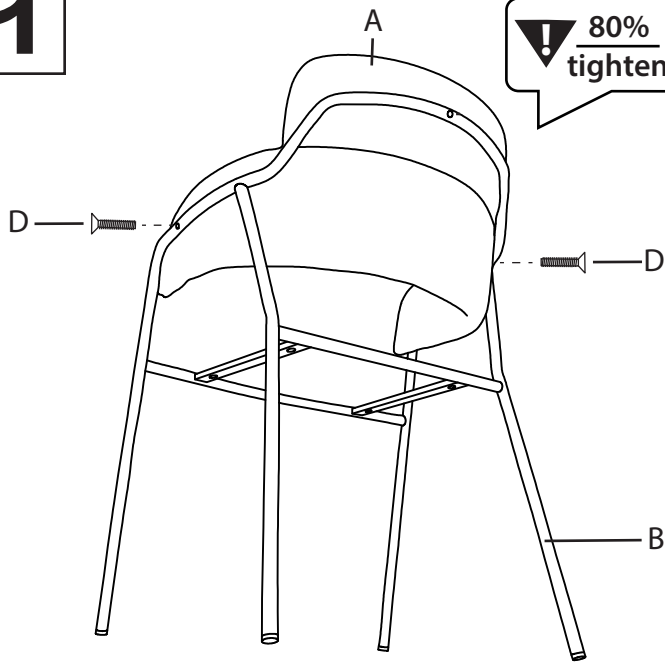


H

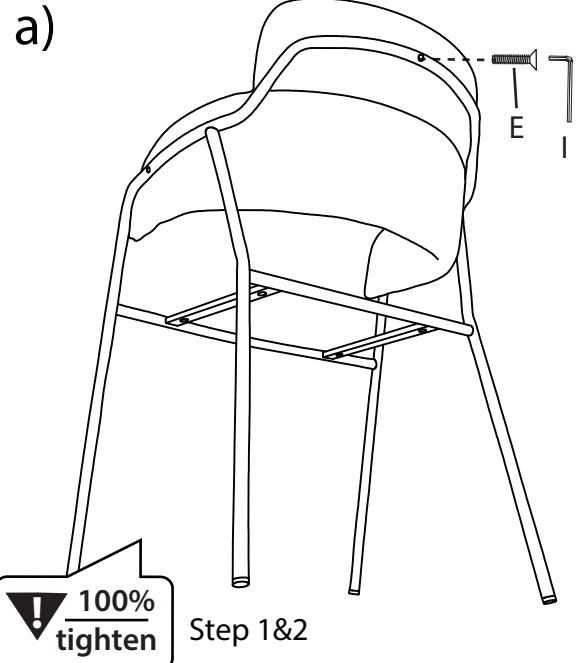


I

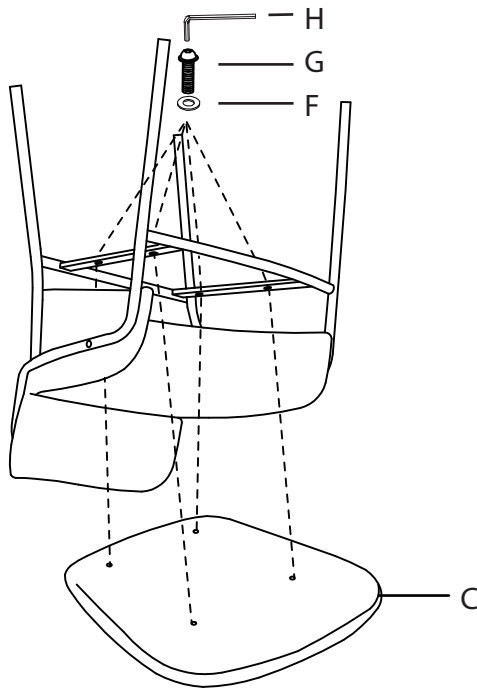
1



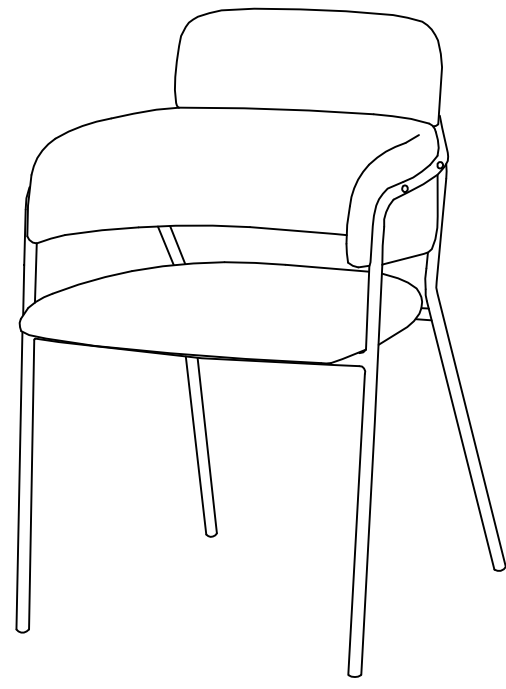
2



3



4



Do not over tighten.
 Do not use power tools to assemble.