

# Converge bookcase

Part # OBC-CONVERGE XX

2019-11-12

**PARTS**



Ax2



Bx1



Cx1



Dx1



Ex2

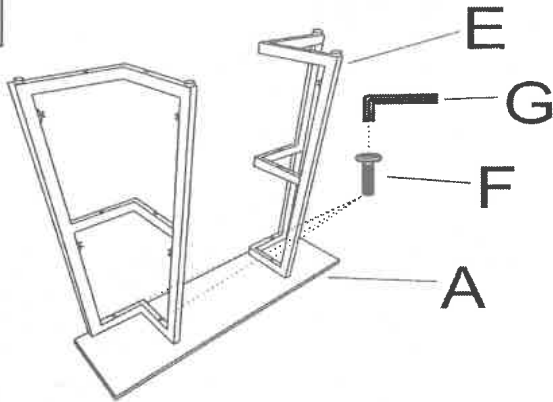


(M6x40mm)  
Fx12

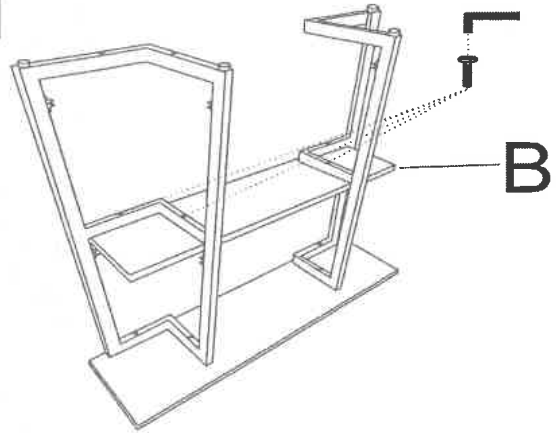


Gx1

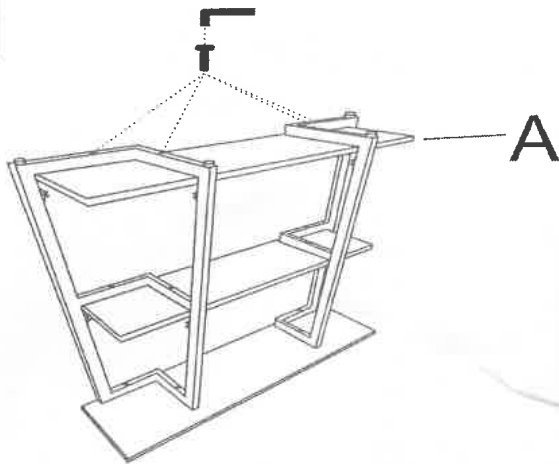
**1**



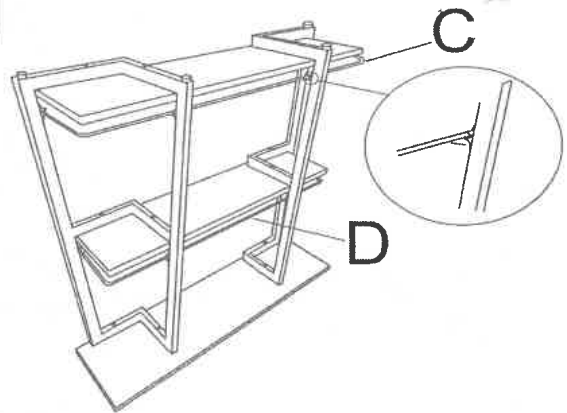
**2**



**3**



**4**



**5**



Do not over tighten.  
 Do not use power tools to assemble.