

Part # OBC-FOLIA XXXX

20-0128

PARTS



A



x4
B

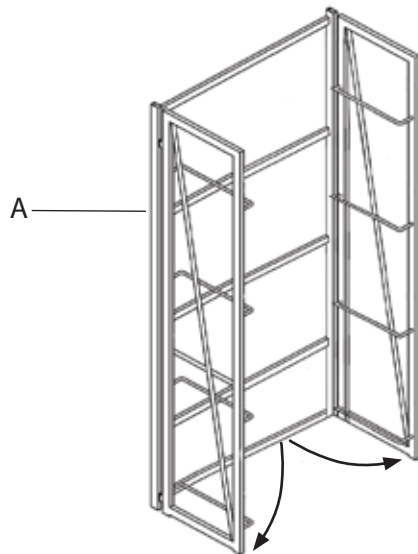


x2
C

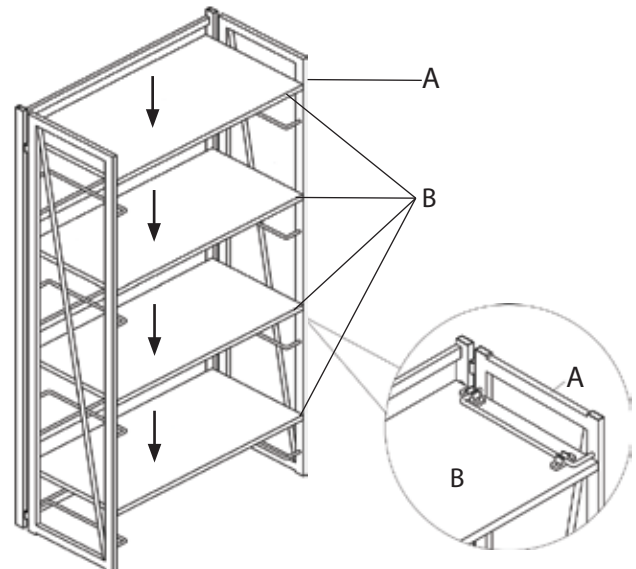


x2
D

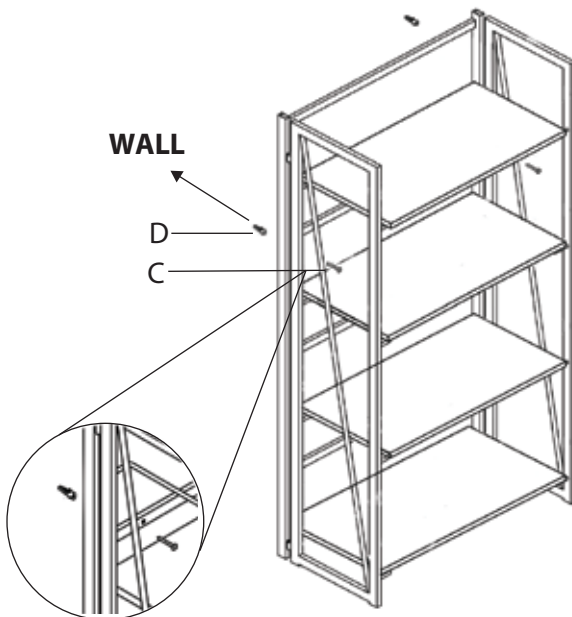
1



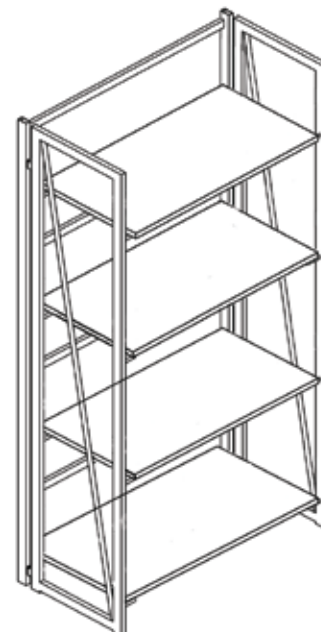
2



3



4



Do not over tighten.
Do not use power tools to assemble.