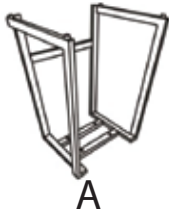
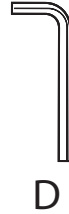
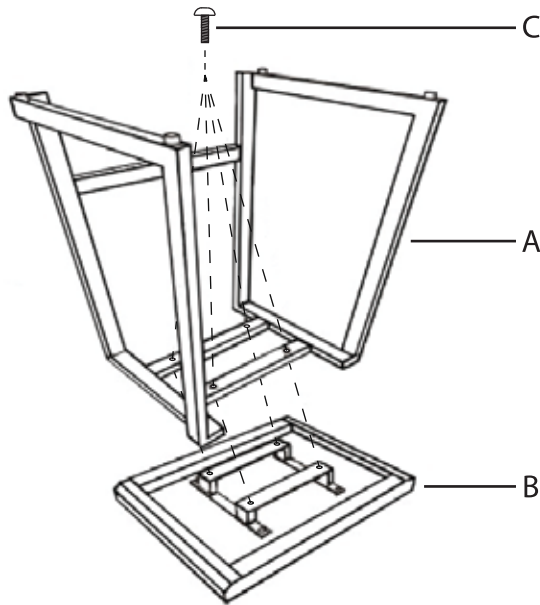
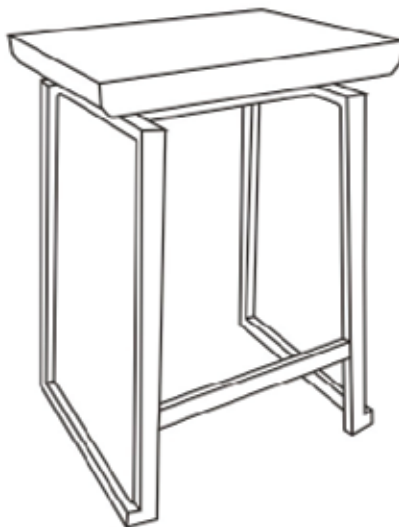


Part # CS-GEOUP XX+XX

20-0320

**PARTS**x4  
(M8x30mm)**1****2**

Do not over tighten.  
Do not use power tools to assemble.