

Part # CH-RILEYHB XX

131120

**PARTS**



A



B



x4

C



x4+1  
M6\*25mm

D



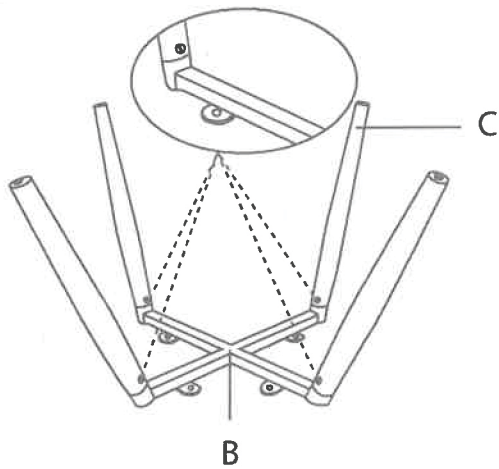
x4+1  
M6\*16mm

E

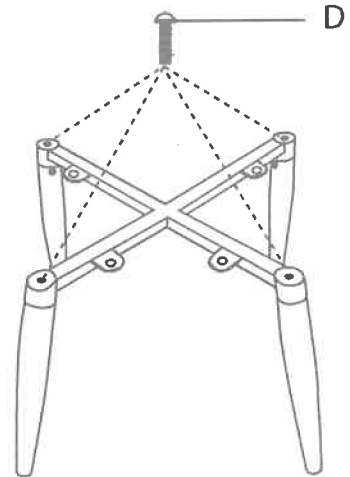


F

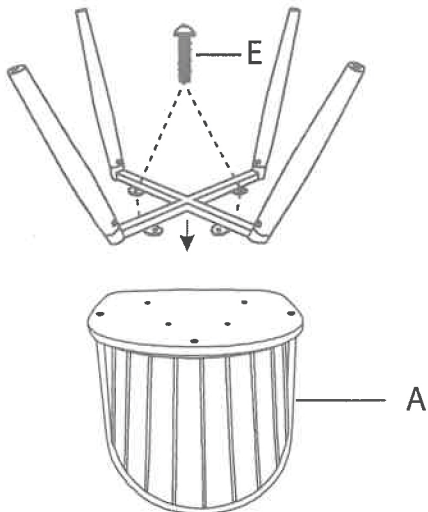
**1**



**2**



**3**



**4**



Adjust the footpad if chair is uneven.