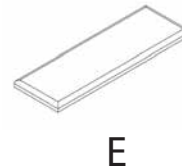
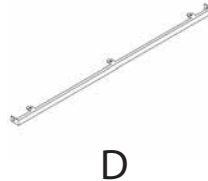
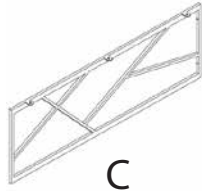


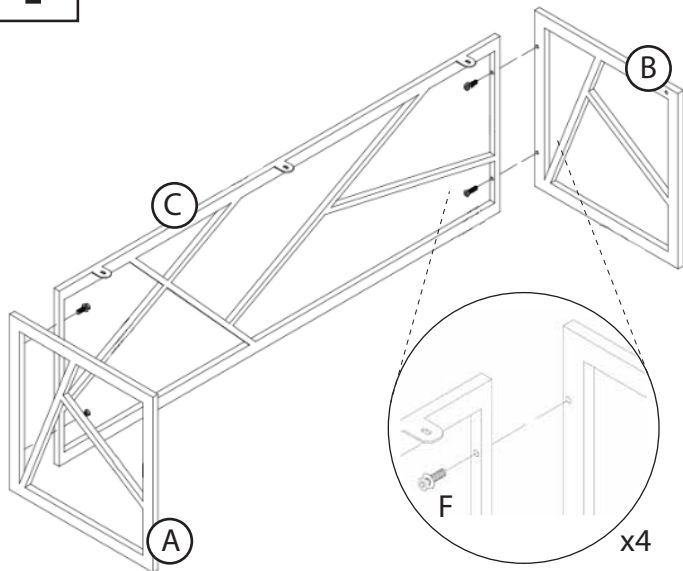
Part # BC-FOLIA XX+XX

21-0927

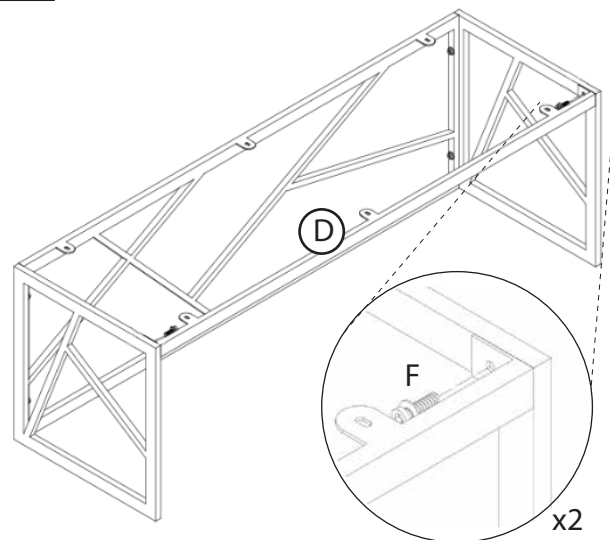
PARTS



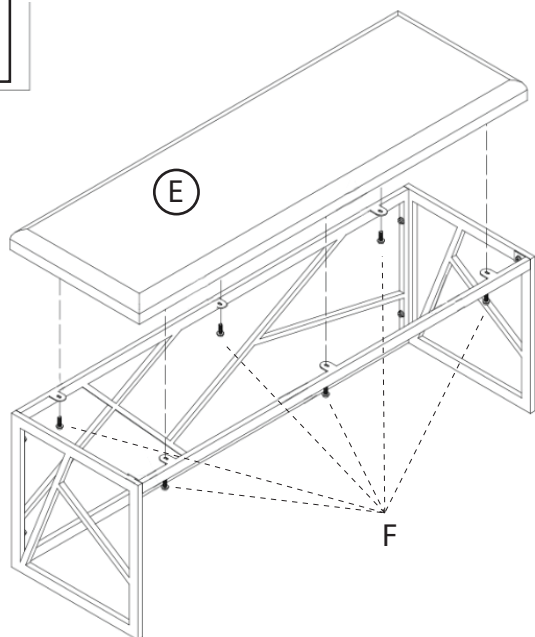
1



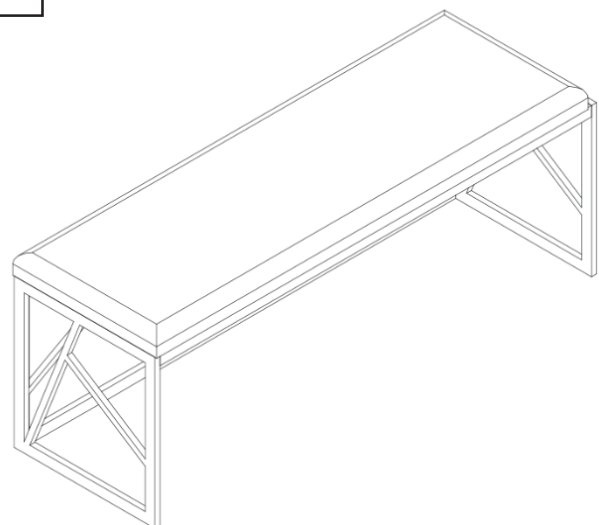
2



3



4



Do not over tighten.
Do not use power tools to assemble.