


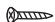
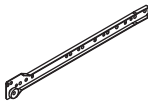
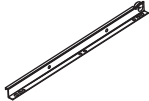






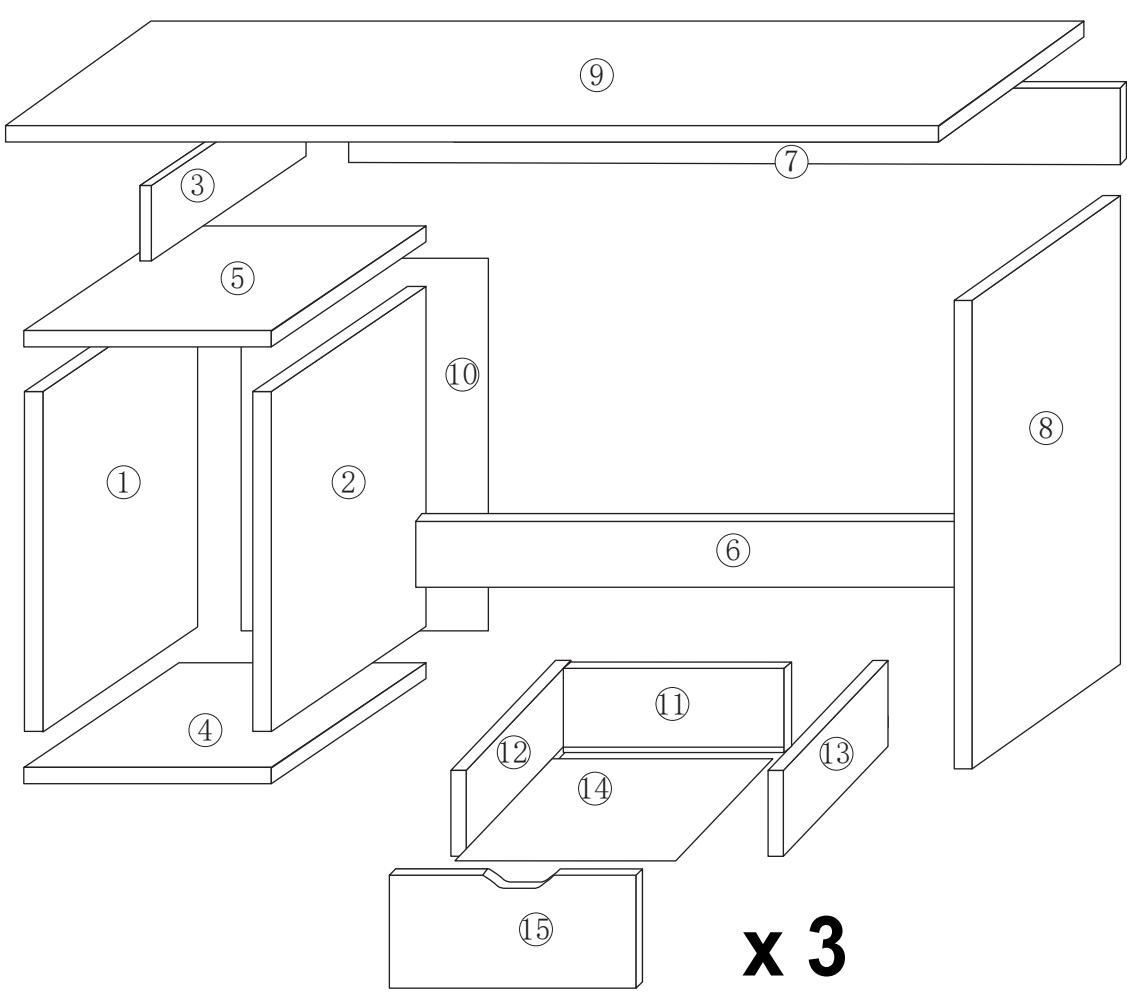


Part # OFD-QUINN XX

20-0904

PARTS					
					
(5 x 40MM) A x 12	(8 x 30MM) B x 32	(7 x 39MM) C x 14	(3.5 x 14MM) D x 36	E x 6	F x 6
					
(5 x 60MM) I x 6	(3 x 20MM) J x 4	K x 1	(3 x 16MM) G x 10	H x 2	

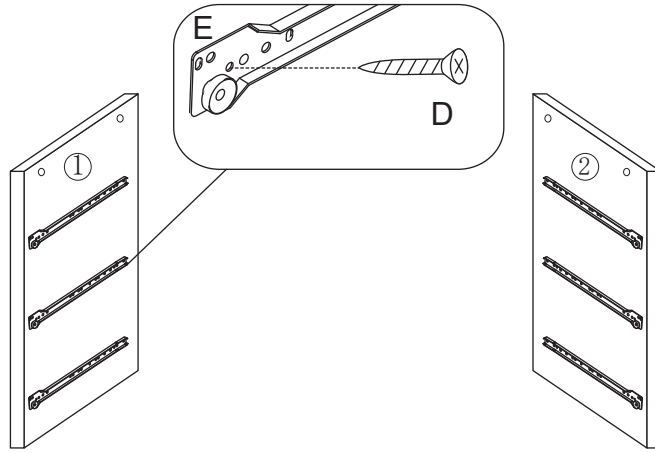
TOOLS

+

PARTS

x 3

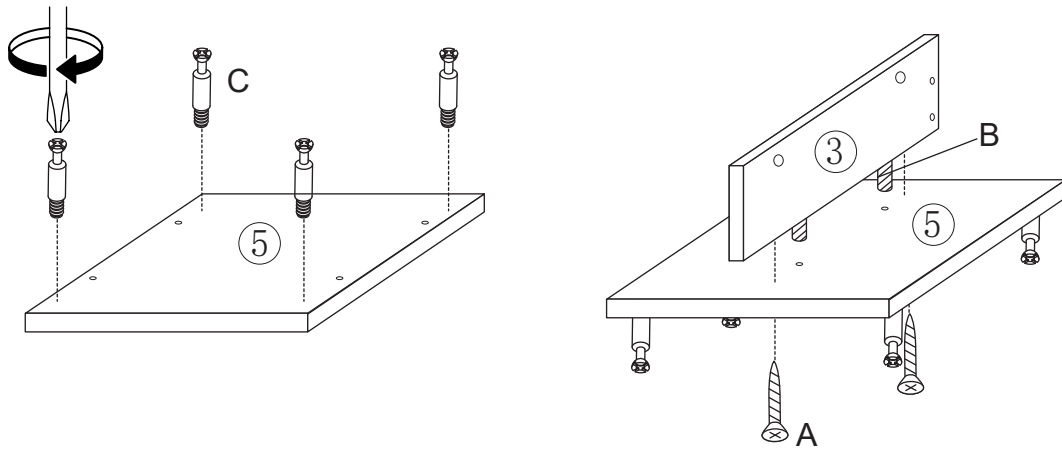


Do not over tighten.
Do not use power tools to assemble.

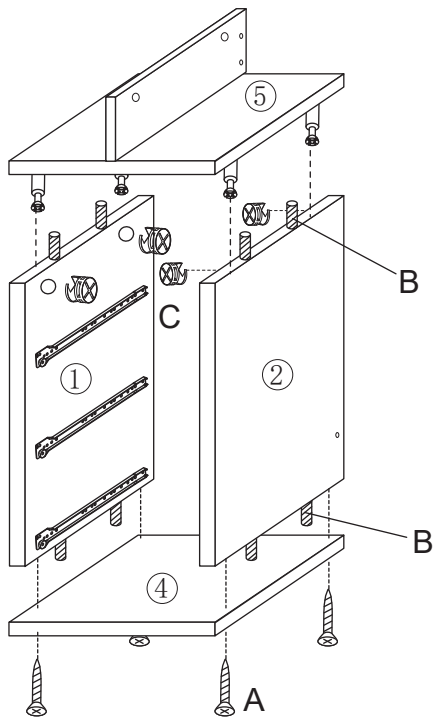
1



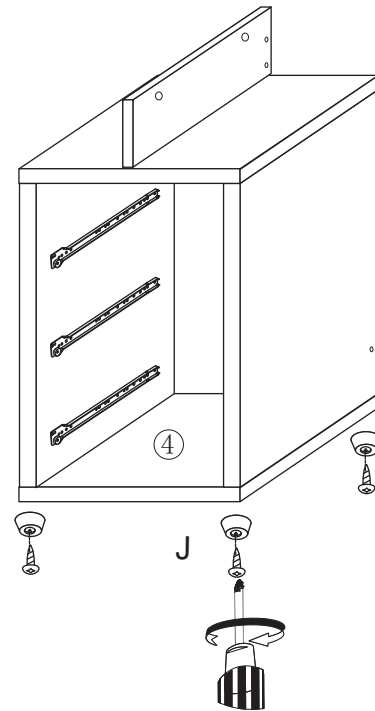
2



3

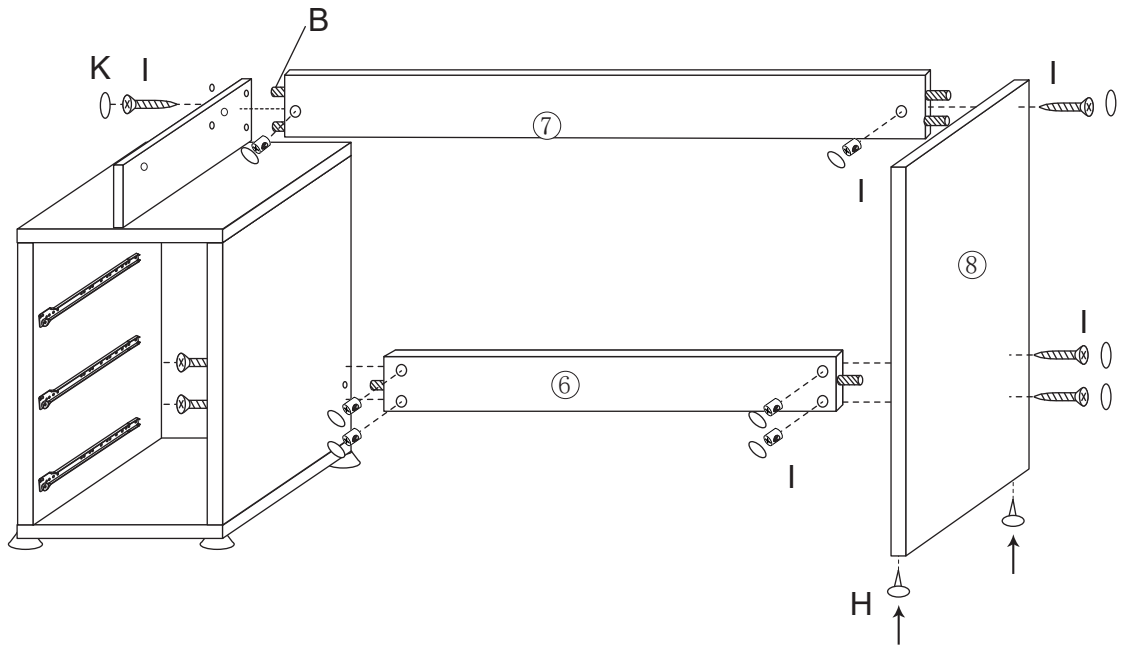


4

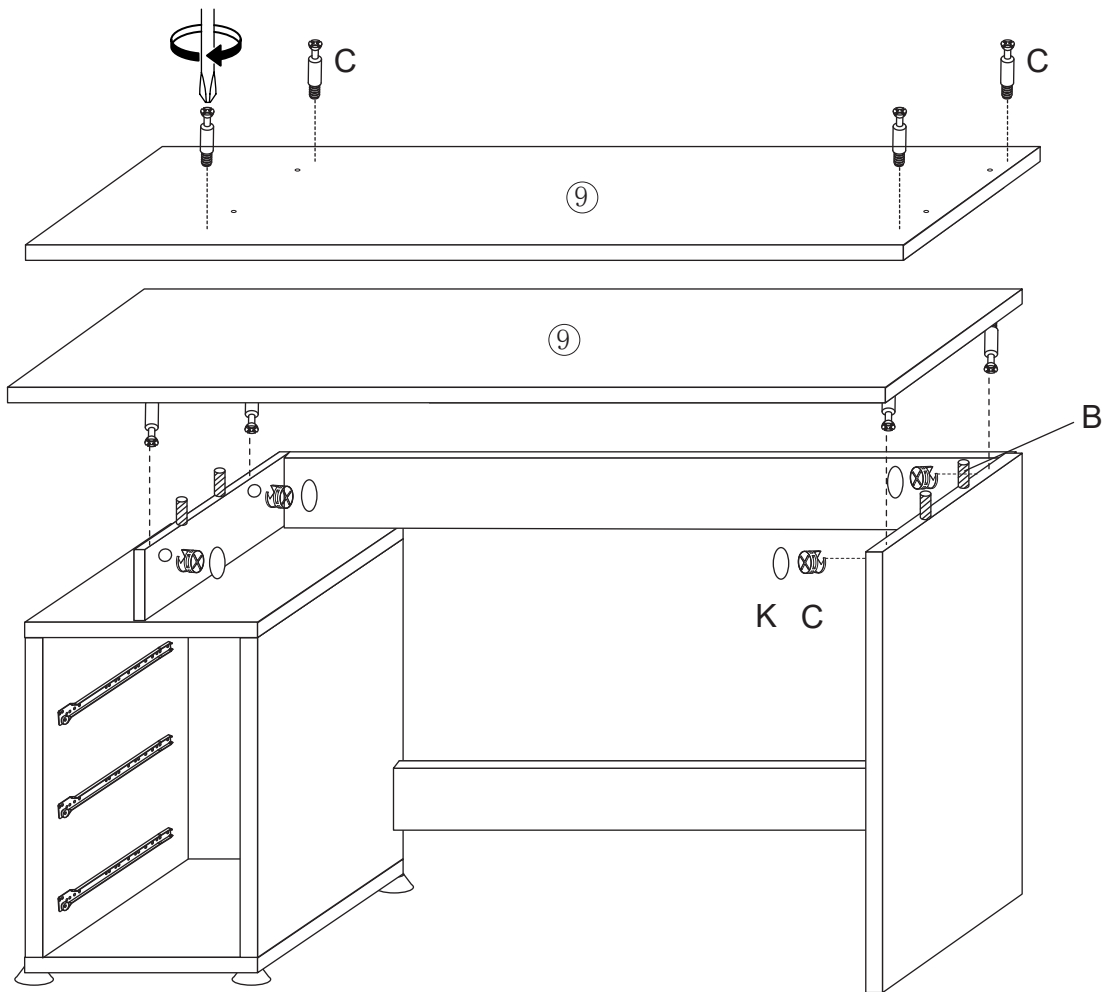


Do not over tighten.
Do not use power tools to assemble.

5

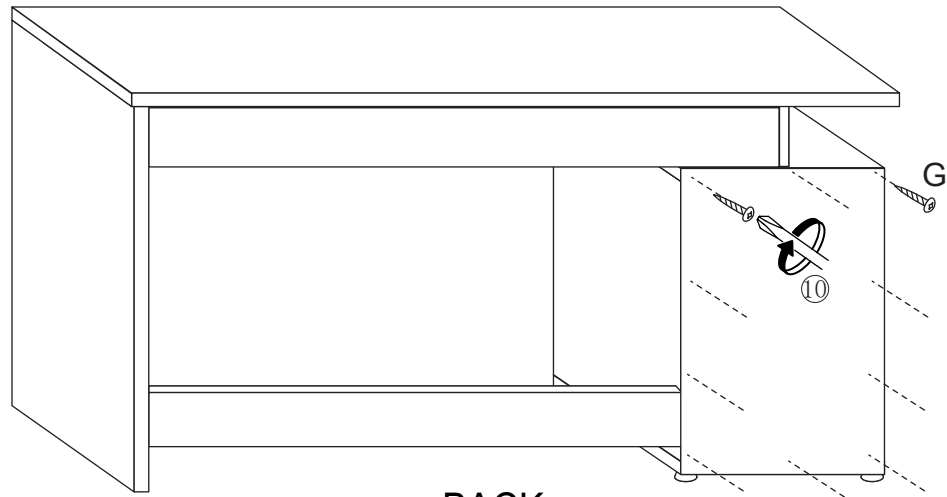


6



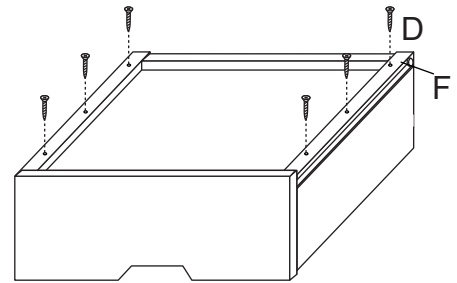
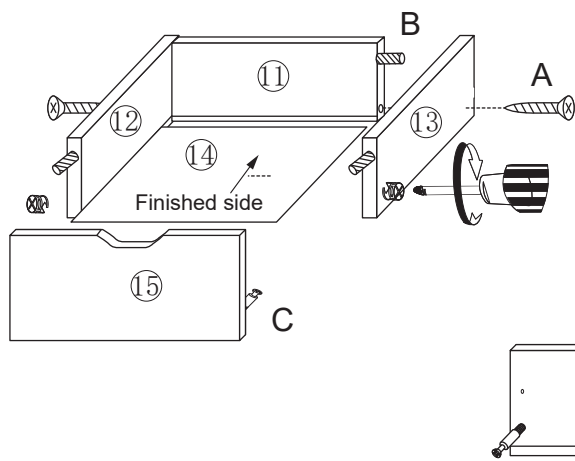
Do not over tighten.
Do not use power tools to assemble.

7



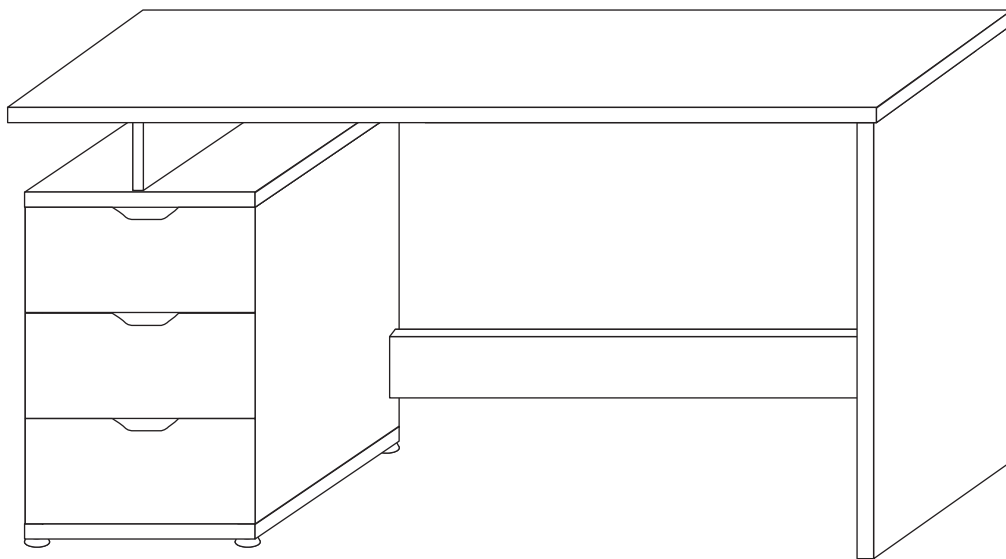
BACK

8



x 3

9



Do not over tighten.
Do not use power tools to assemble.