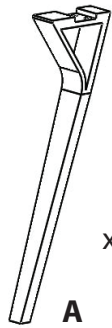


FOLIA ROUND DINETTE

Part # DT-FOLIA RND XX+CL

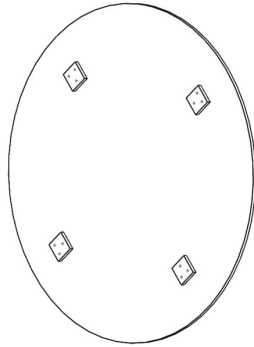
20-0914

PARTS



x4

A



B



(M8 22mm)

x12

C

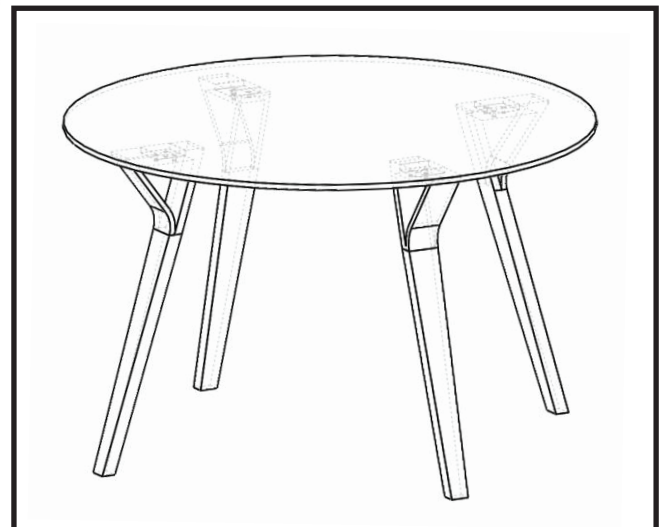
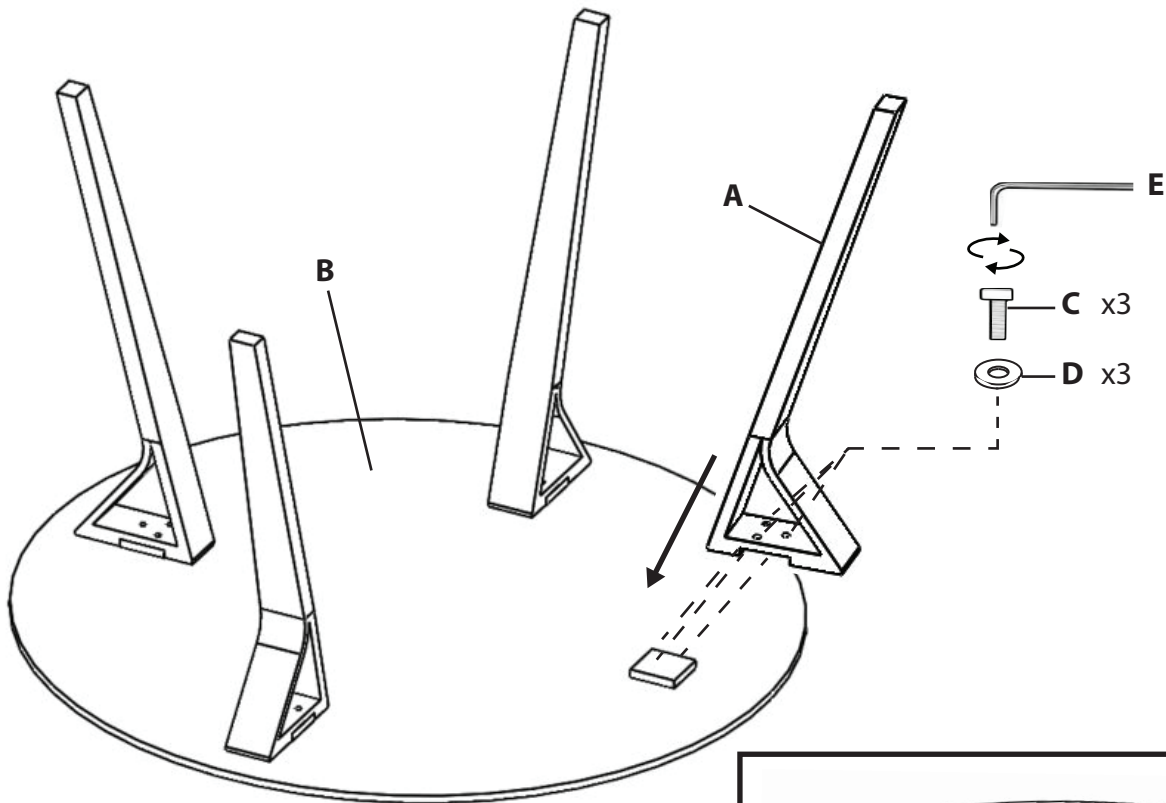


x12

D



E



Do not over tighten.
 Do not use power tools to assemble.