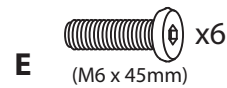
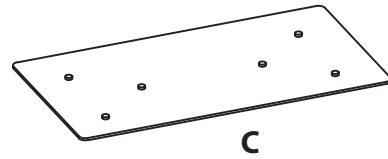
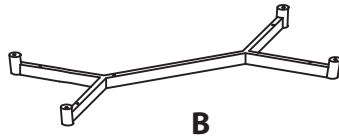
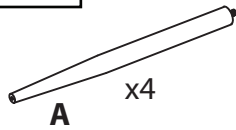


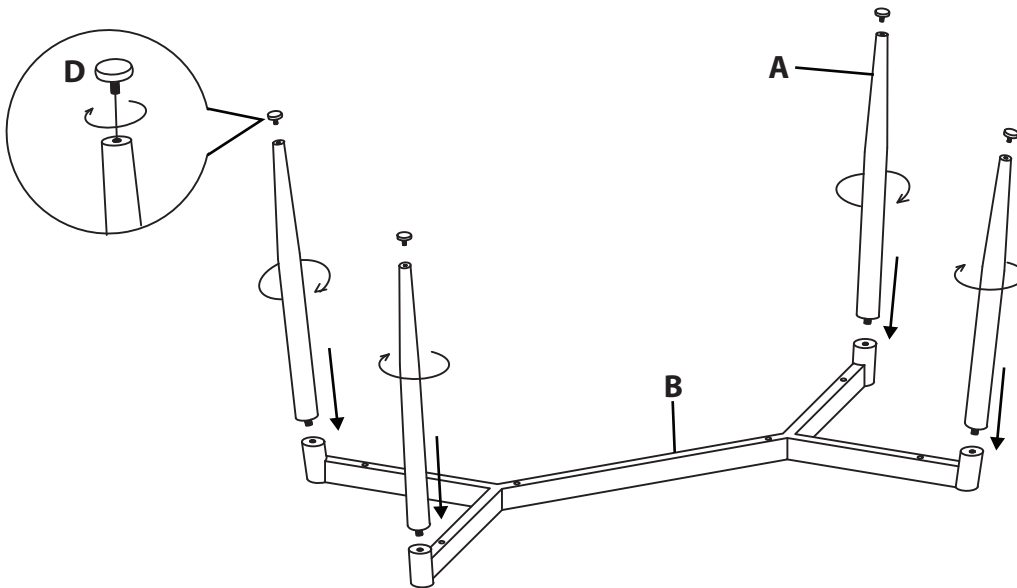
Part #OFD-CLARA XX+XX

22-0331

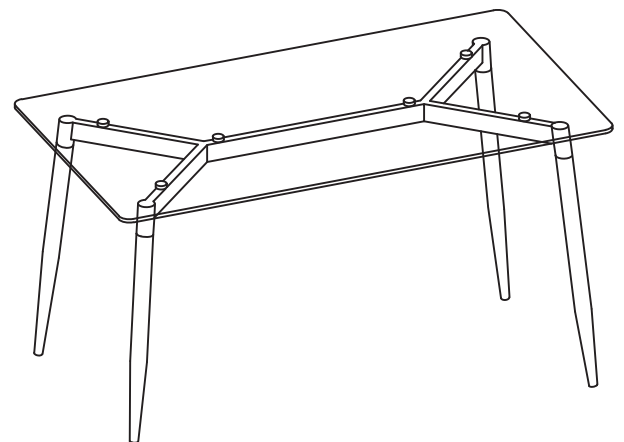
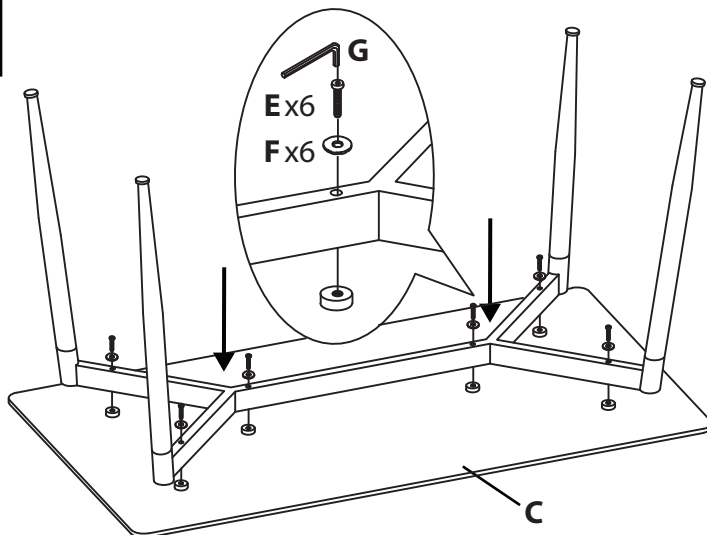
PARTS



1



2



⚠ WARNING:

- Read all instructions carefully and completely before assembly and use. Retain for future reference.
- Keep plastic bags and small parts away from children.
- For residential (non-commercial) use only.
- DO NOT stand on product. Use only for intended table purpose.
- DO NOT put children or animals inside drawers (if applicable).
- Periodically check for loose hardware; retighten as necessary.
- DO NOT use product if any component becomes damaged.
- DO NOT use power tools to assemble OR overtighten hardware.
- Max weight limit 150 lbs.