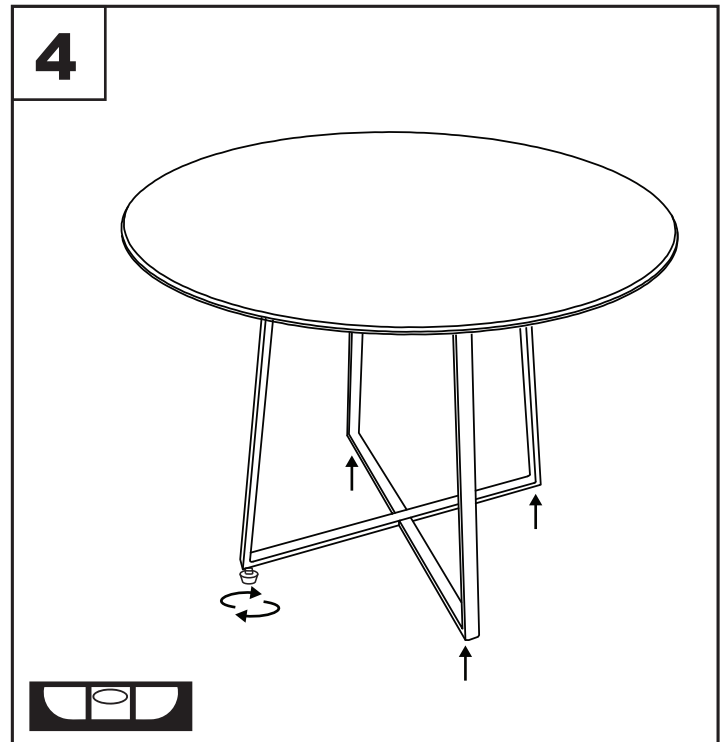
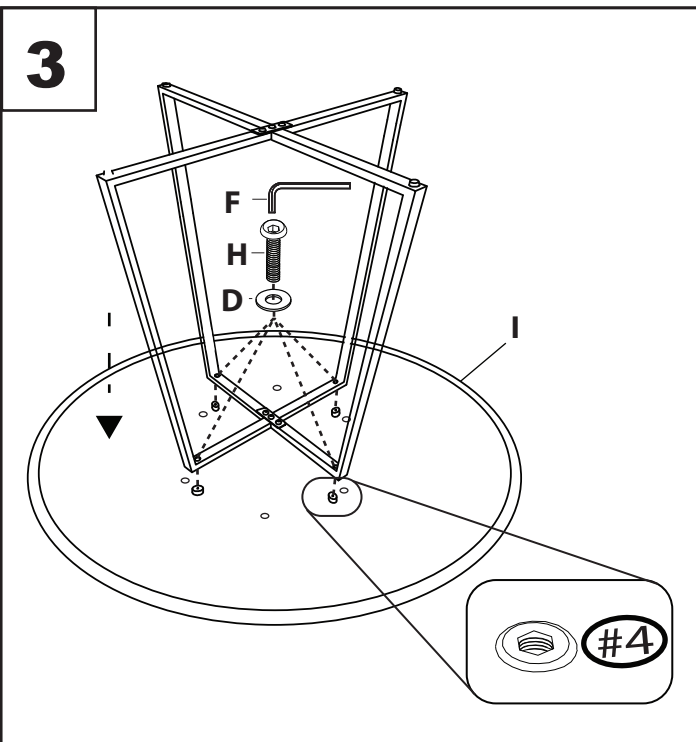
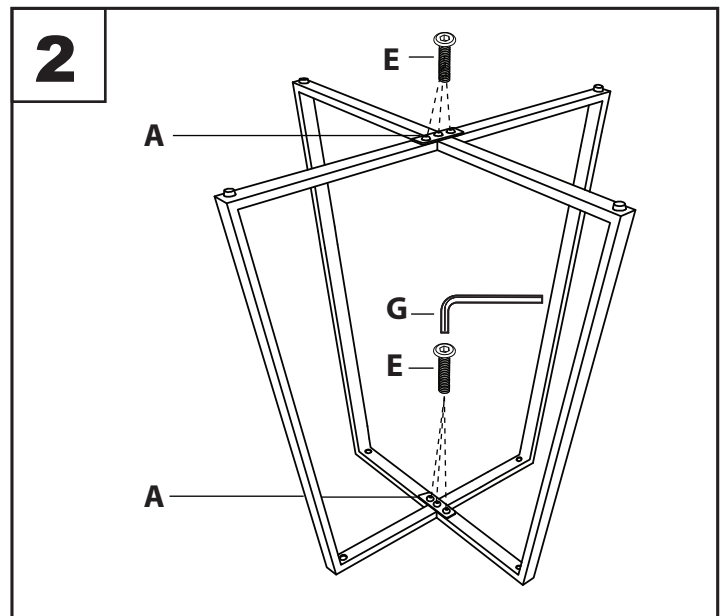
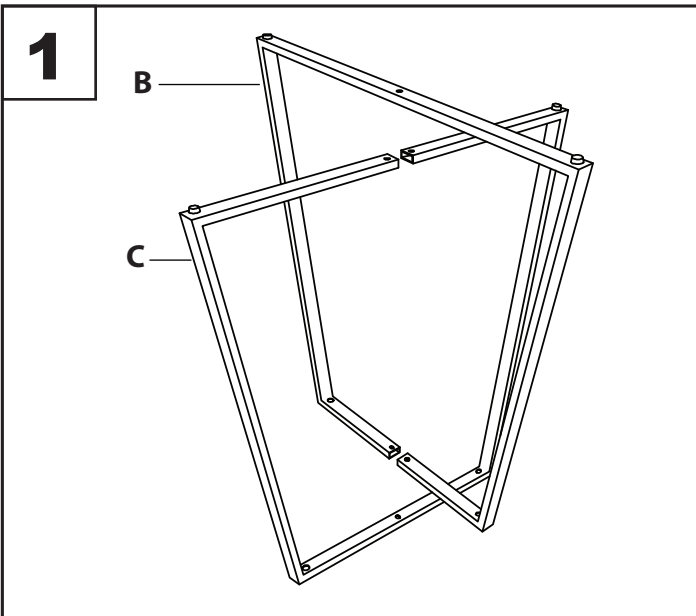


Cosmo Dining Table

Part # DT-COSMO2 XX+XX

20-0319

PARTS							NON-GLASS TOP	GLASS TOP	I #4
x2 A	B	C	x4 D	x6 E (M6x14mm)	(5mm) F	(4mm) G	x4 H(1) (M6x25mm)	x4 H(2) (M8x25mm)	



Do not over tighten.
Do not use power tools to assemble.