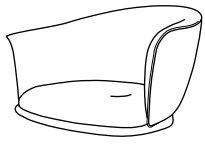


Part # CH-ASHLAND XX+XX

20-0916

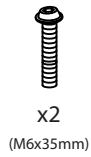
PARTS



A

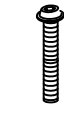


B



x2
(M6x35mm)

C



x2
(M6x40mm)

D



x4

E



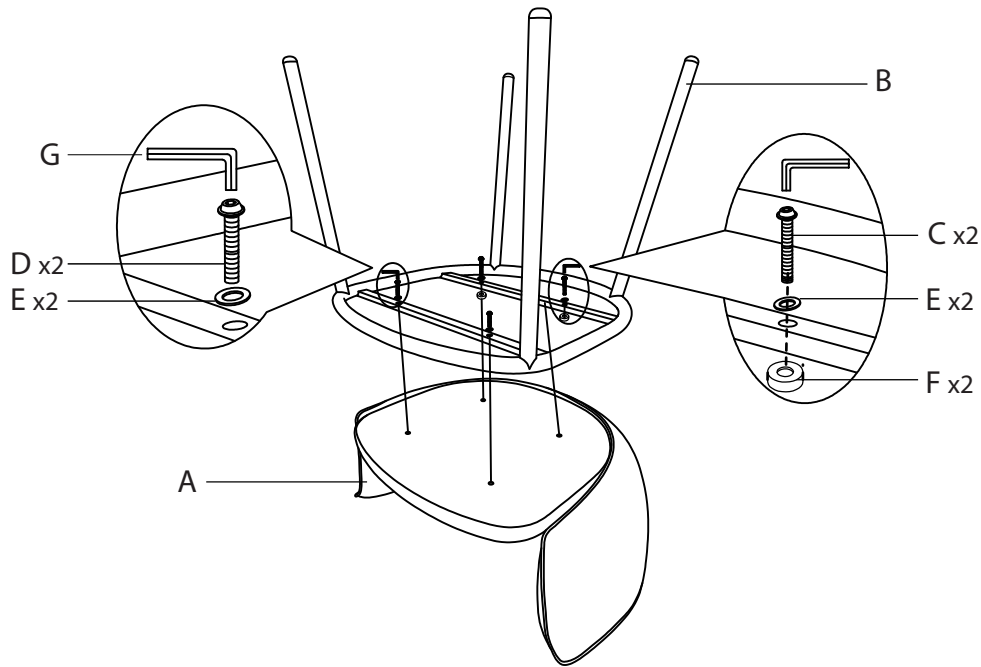
x2

F

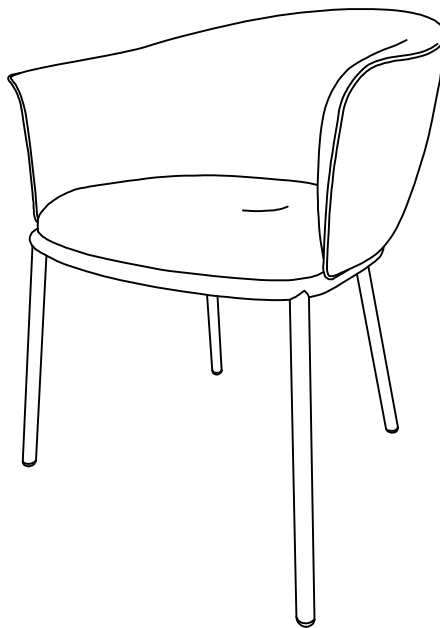


G

1



2



Do not over tighten.
 Do not use power tools to assemble.