

Fran Bench

Part # BC-FRAN XX+XX

20-1110

PARTS



A



B



C



x2
D



x8
(M6x16mm)
E



x10
(M6x45mm)
F

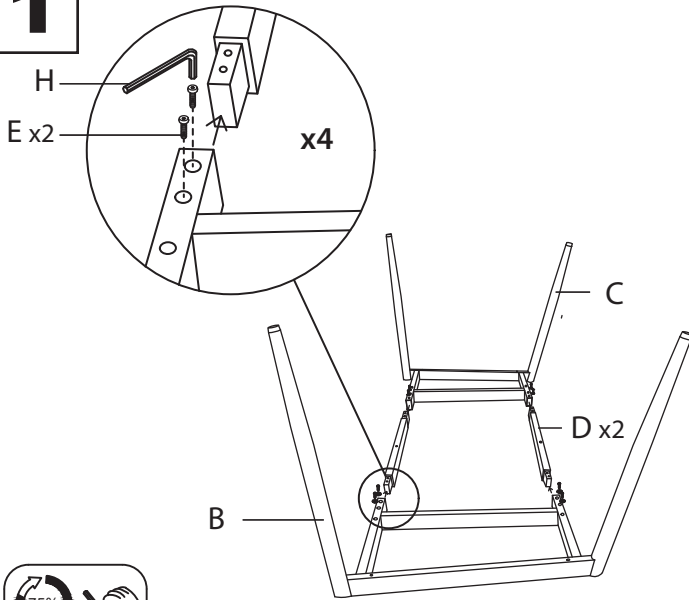


x10
G

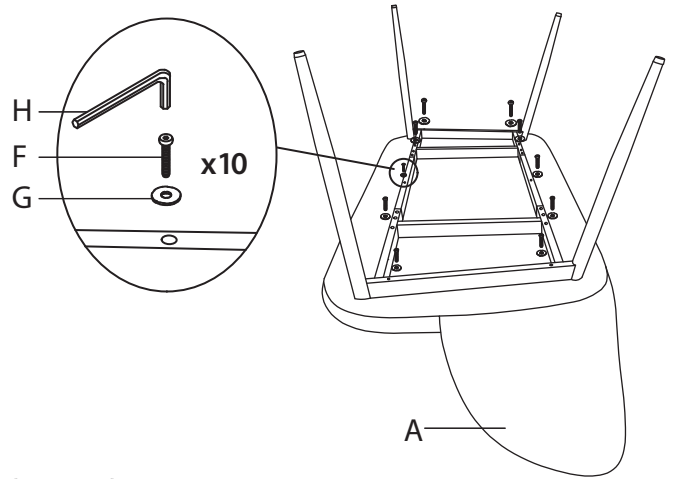


H

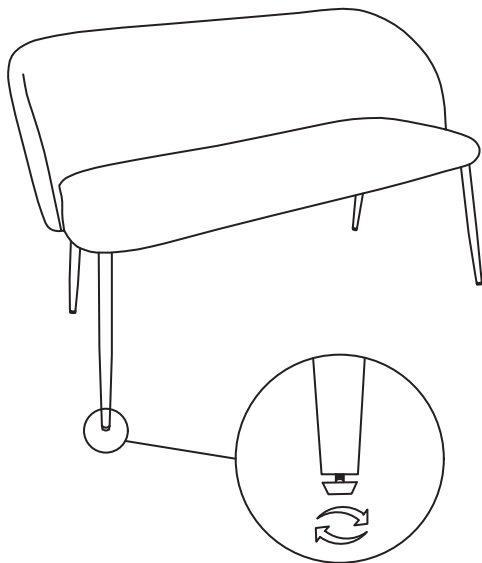
1



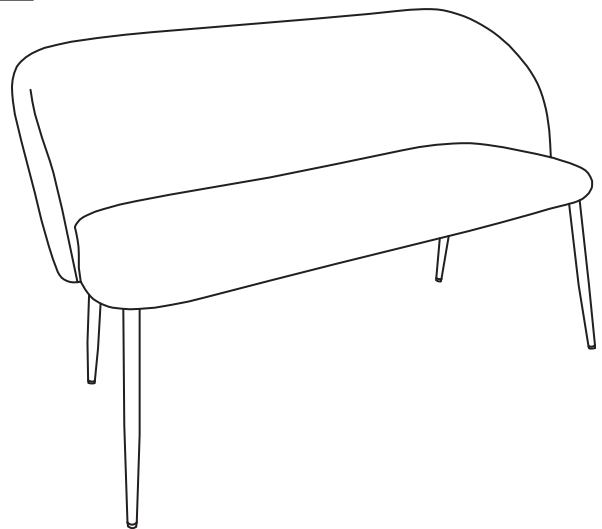
2



3



4



Do not over tighten.
Do not use power tools to assemble.