

Part # OT-NEO XX +XX

20-0902

**PARTS**

A



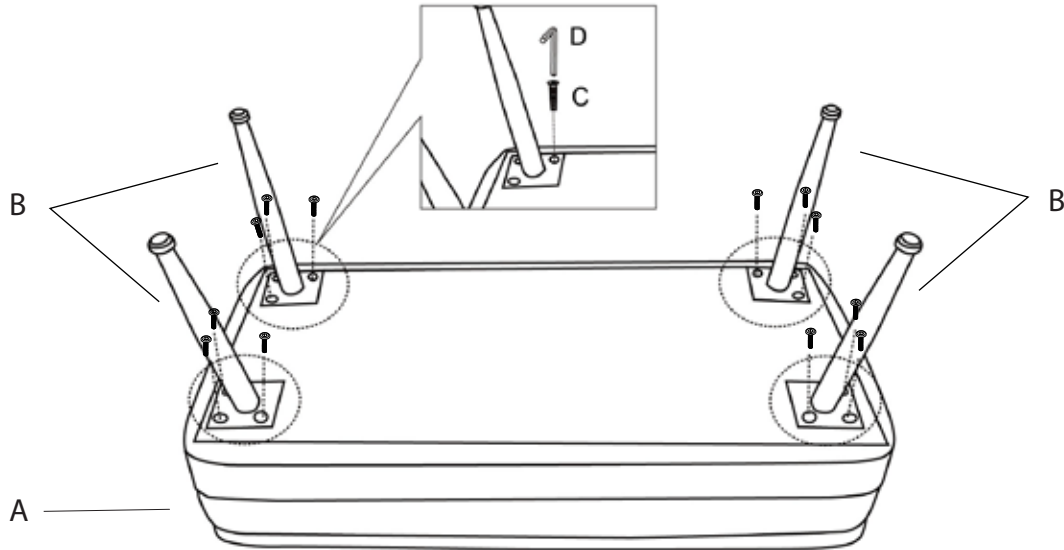
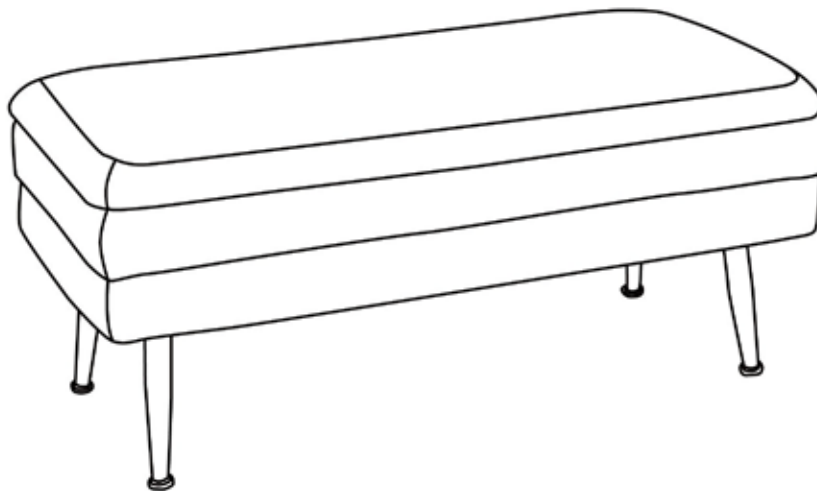
B

x12  
(M8 x 16mm)

C



D

**1****2**

Do not over tighten.  
Do not use power tools to assemble.