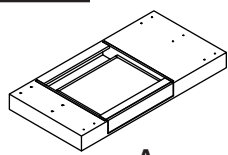


Upholstered Drift Desk

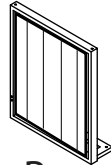
Part # OFD-DRIFTUP XX

21-0322

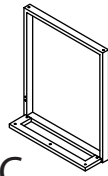
PARTS



A



B



C



D



(30xM6x15mm)

E



(φ16xφ7x1.0mm)

F



(M6x50mm)

(x4)

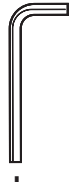
G



(M6x35mm)

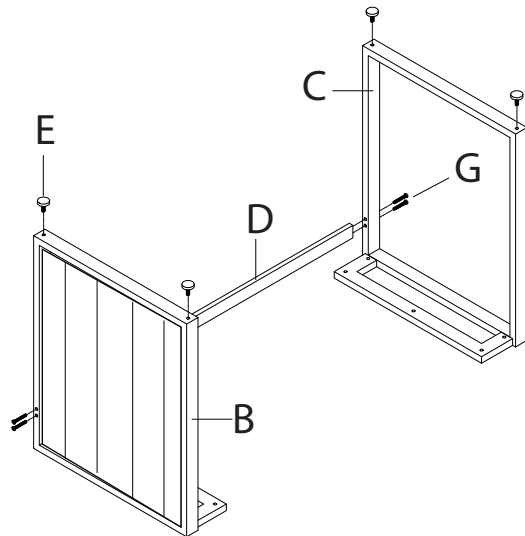
(x10)

H

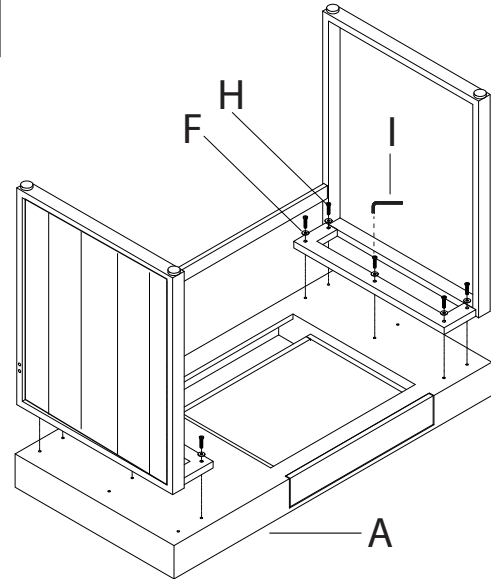


I

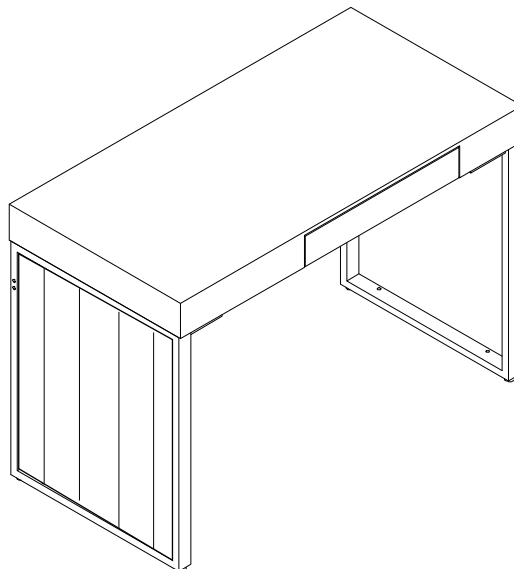
1



2



3



Do not over tighten.
Do not use power tools to assemble.