




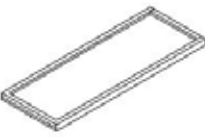











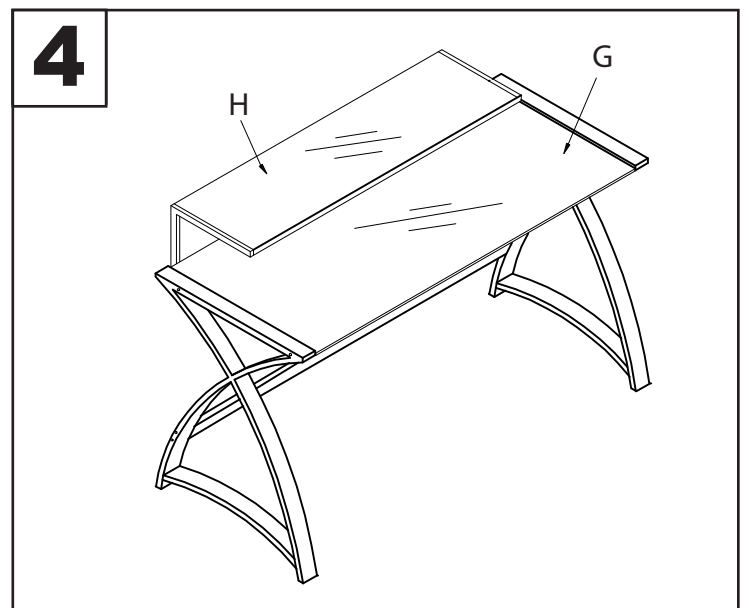
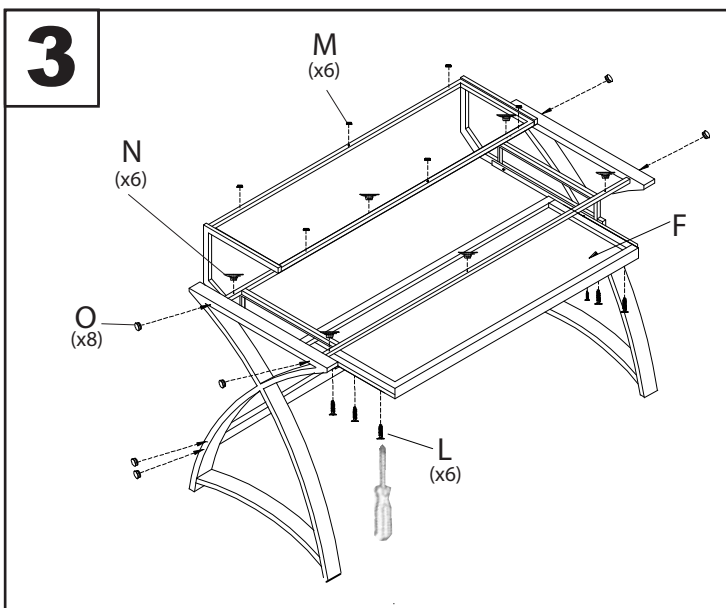
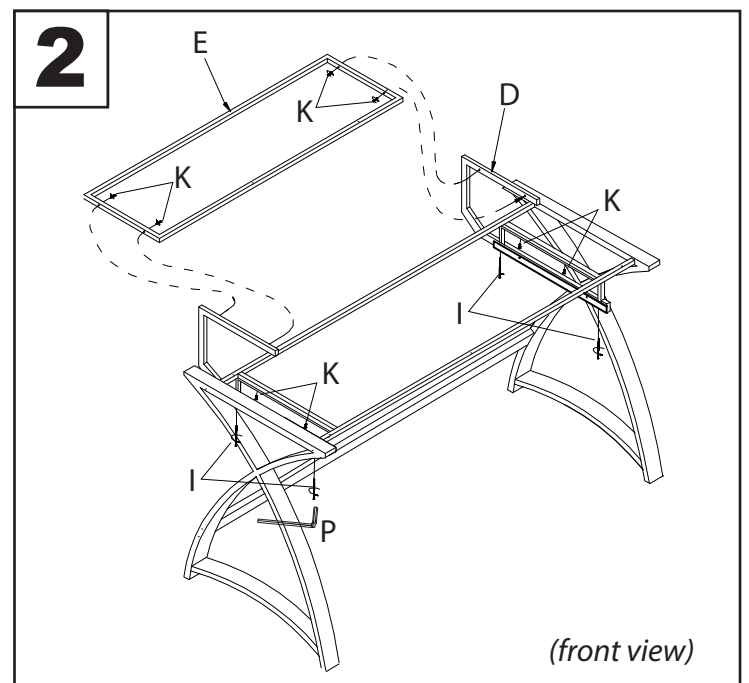
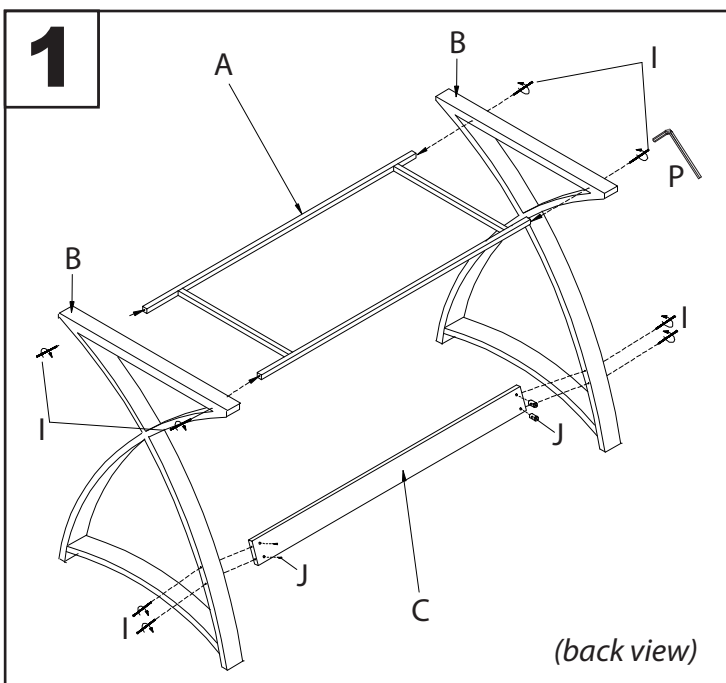


Part # OFD-BENTLY XXXX

20-1218

PARTS											TOOLS
											
A	B x2	C	D x2	E	F						
											
G	H	I x12 (1/4x80mm)	J x4	K x12 (1/4x25mm)	L x6 (#3x10mm)	M x6	N x6	O x8	P		



Do not over tighten.
Do not use power tools to assemble.