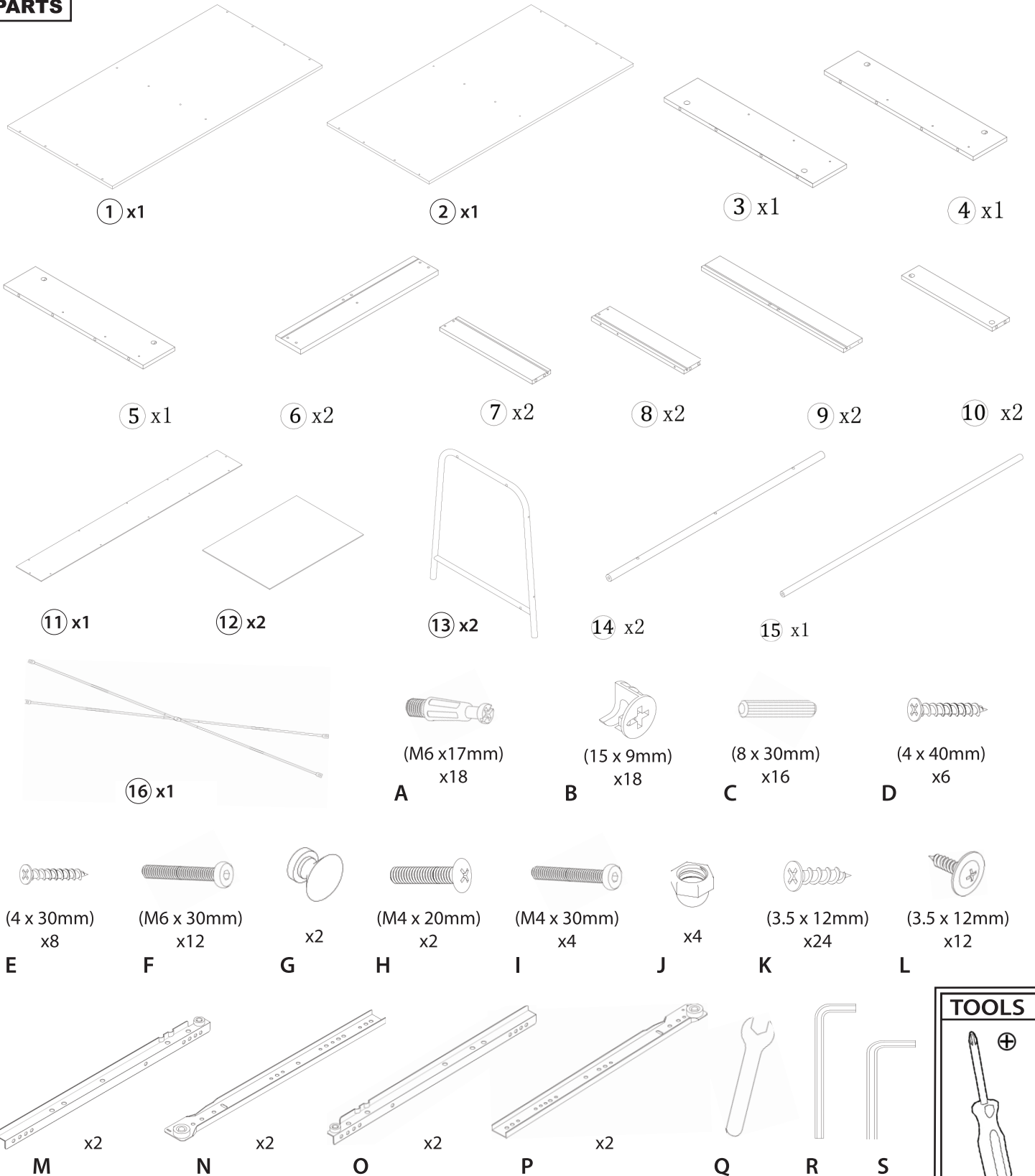


Part # OFD-CASPER XXXX

21-0427

**PARTS**



**TOOLS**

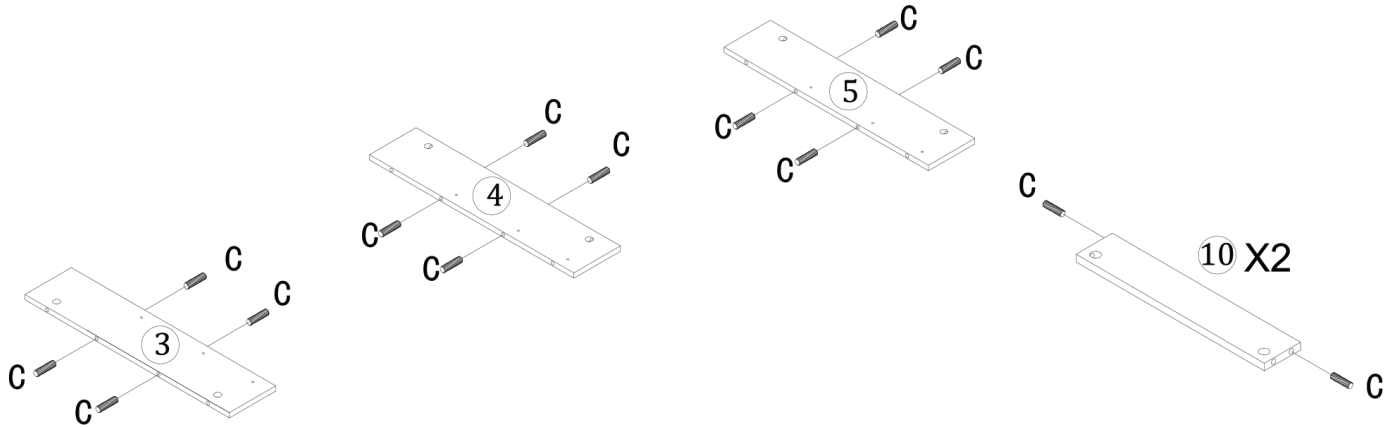
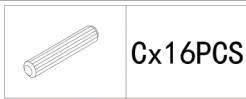


Do not over tighten.  
Do not use power tools to assemble.

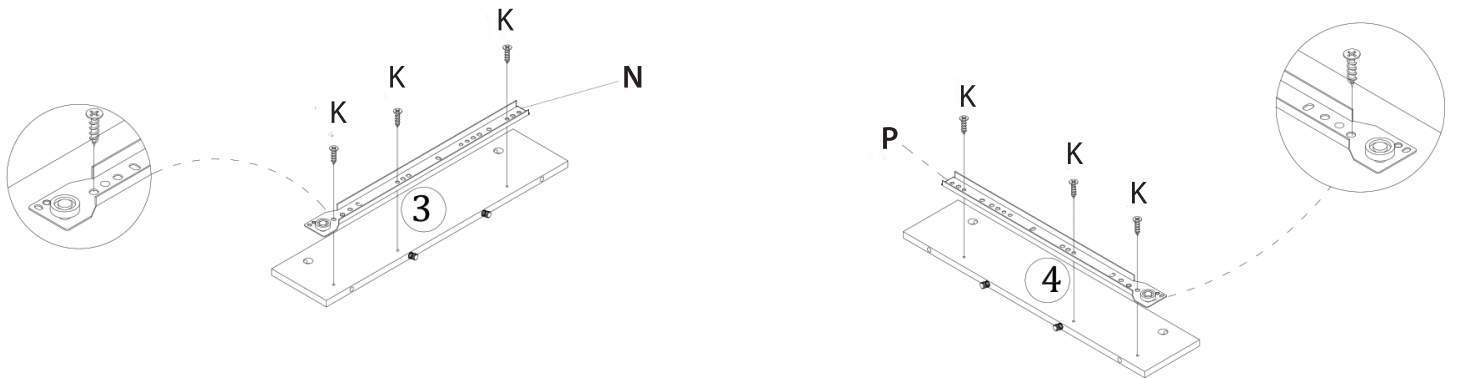
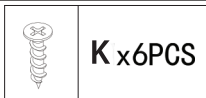
Part # OFD-CASPER XXXX

21-0427

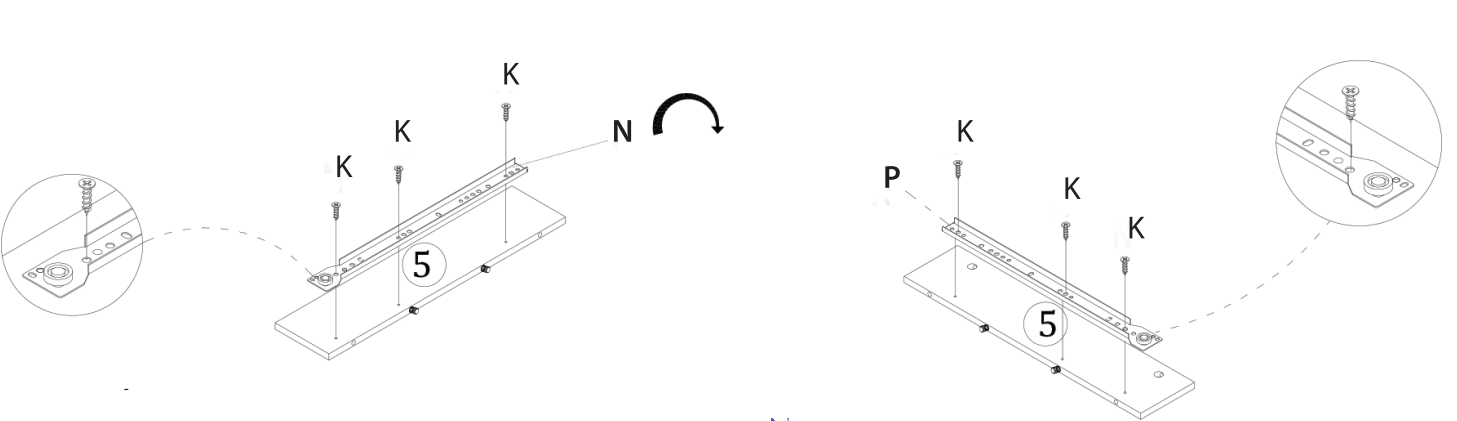
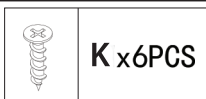
**1**



**2**




**3**



Do not over tighten.  
 Do not use power tools to assemble.

Part # OFD-CASPER XXXX

21-0427

**4**  Ax18PCS

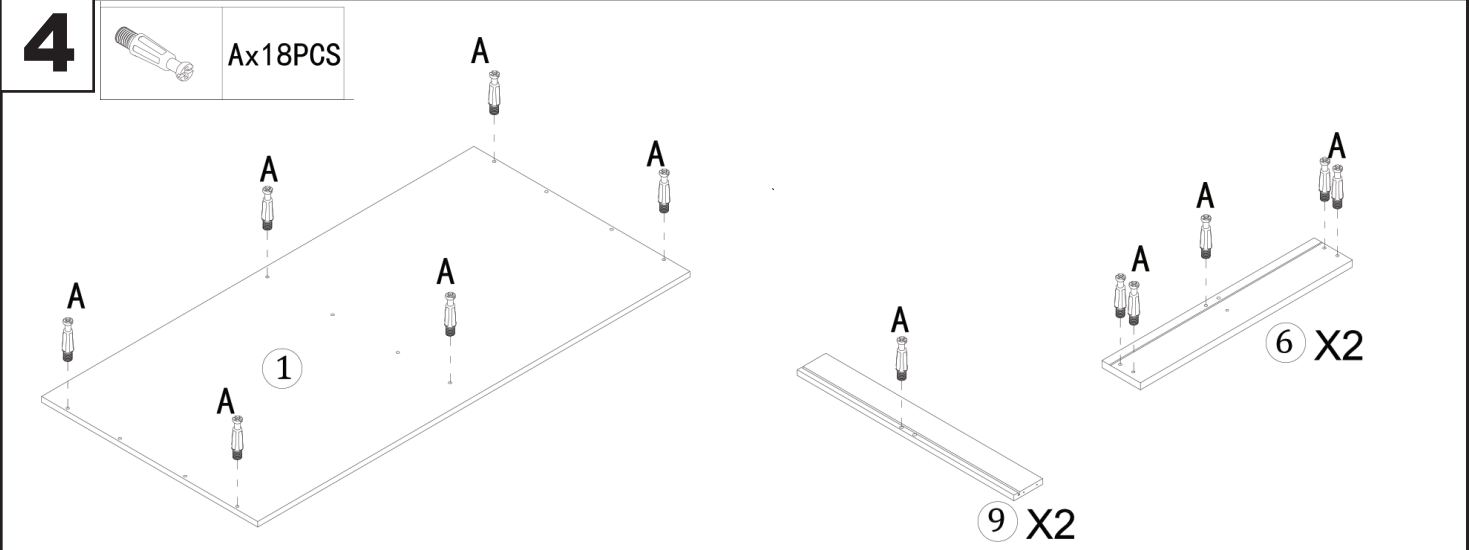



Diagram illustrating the installation of screws (A) into the desk frame. Part 1 is the main desk top, and parts 6 and 9 are side rails. Screws A are shown being inserted into pre-drilled holes in the frame and rails.

**5**  Bx6PCS

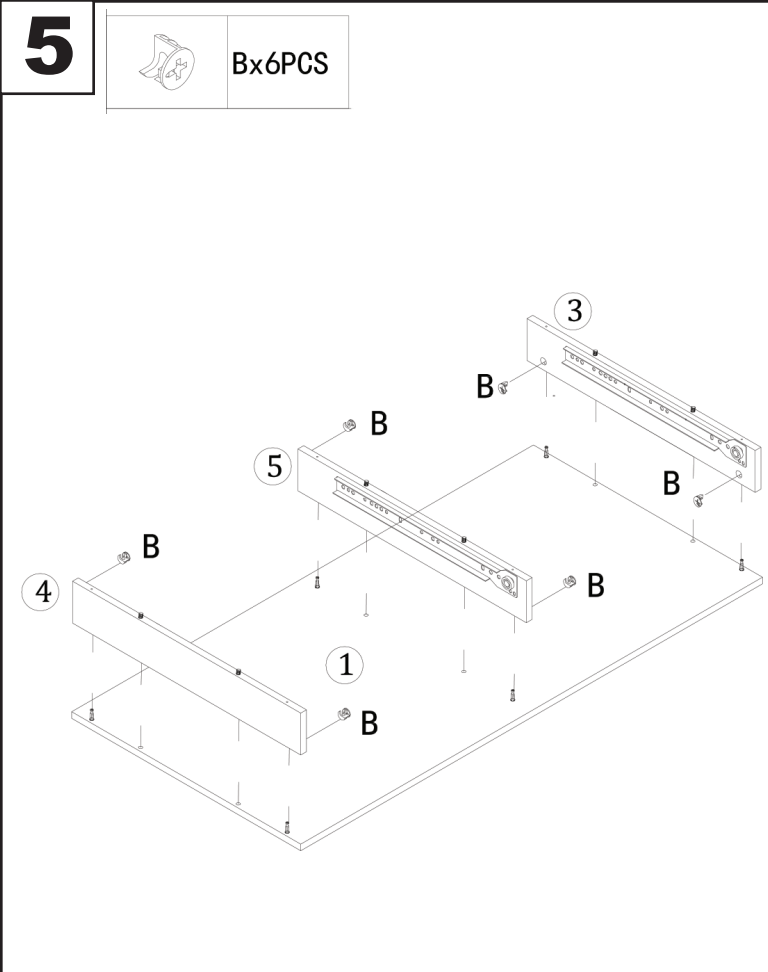



Diagram illustrating the installation of brackets (B) onto the desk frame. Part 1 is the main desk top, part 3 is a side rail, and part 4 is a support rail. Brackets B are being attached to the underside of the desk top and side rail.

**6**  Dx6PCS

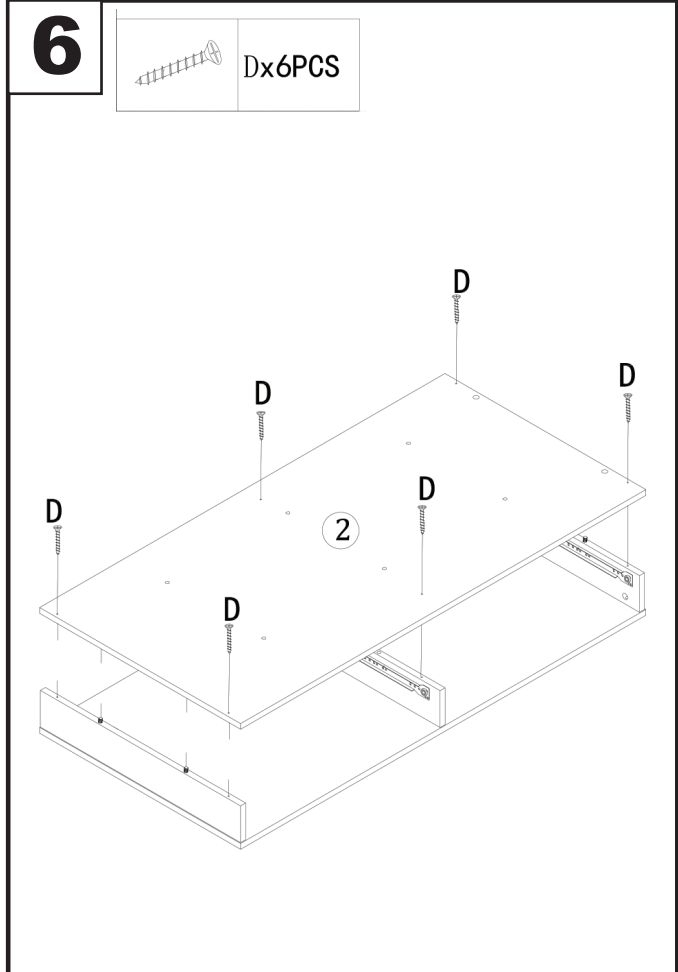


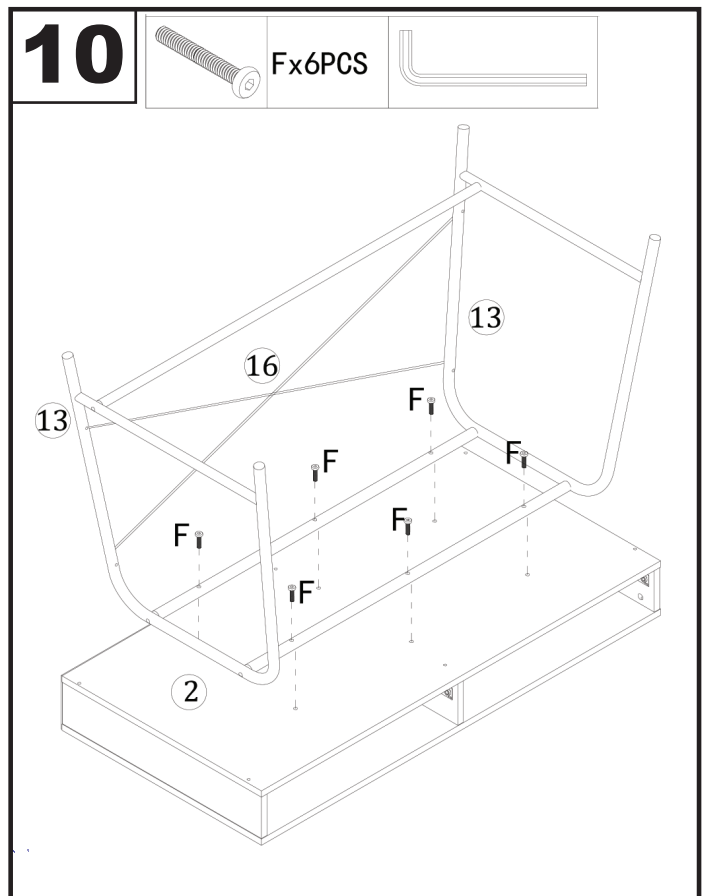
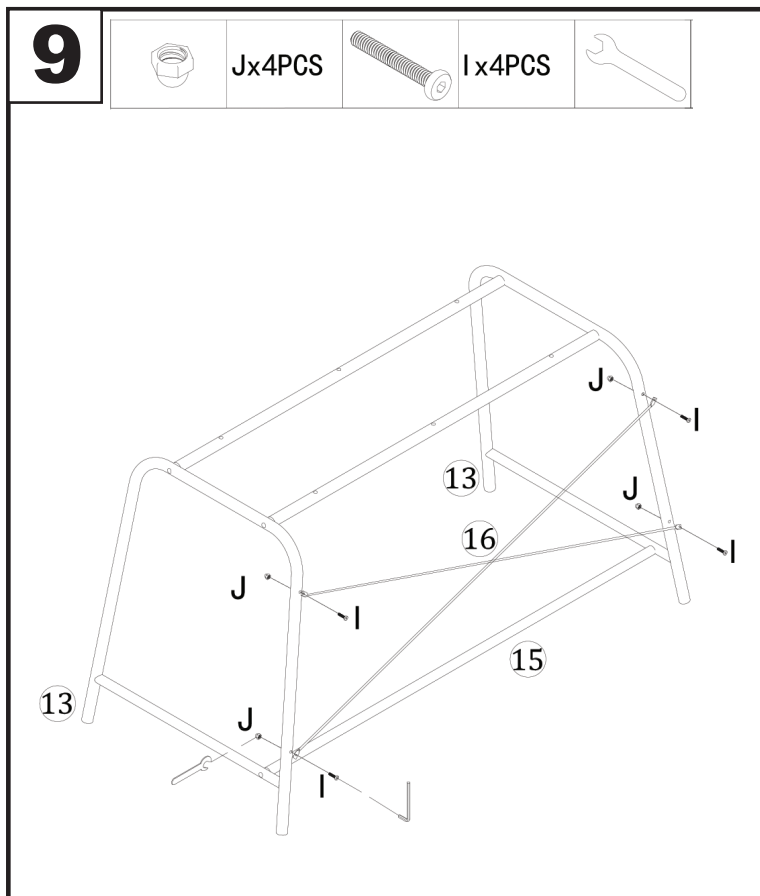
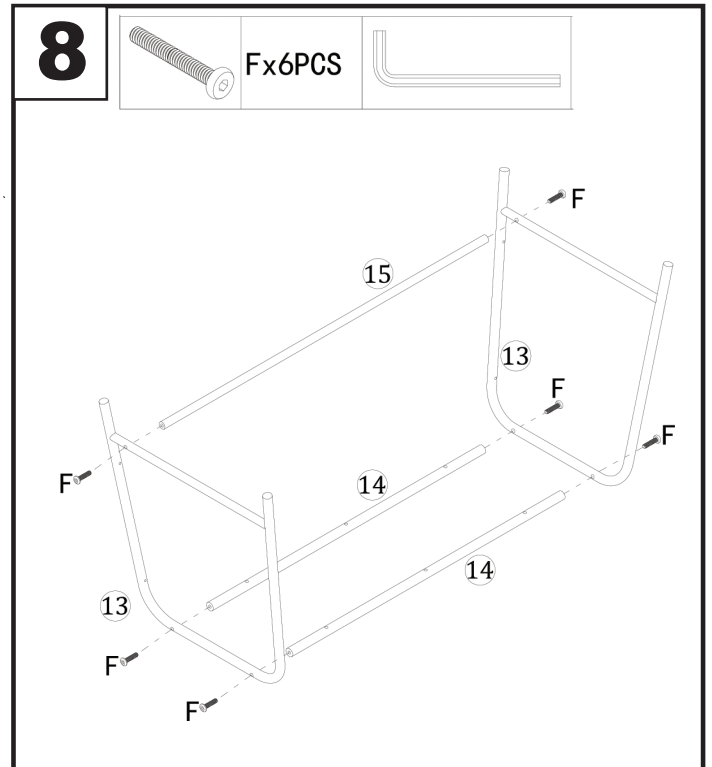
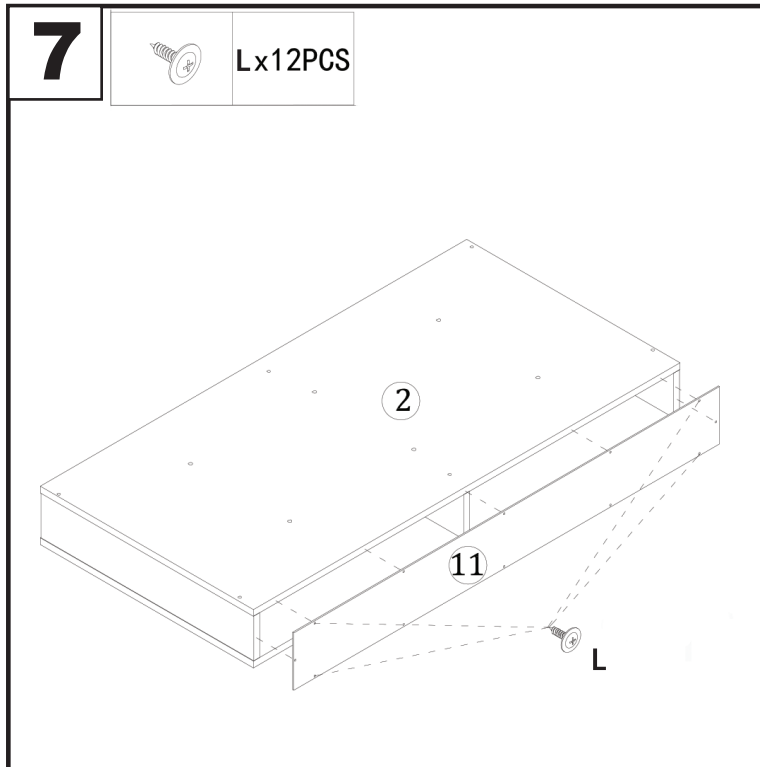
Diagram illustrating the installation of screws (D) into the desk frame. Part 2 is the main desk top, and part 3 is a side rail. Screws D are being inserted into the desk top to secure the side rail.



Do not over tighten.  
 Do not use power tools to assemble.

Part # OFD-CASPER XXXX

21-0427



Do not over tighten.  
Do not use power tools to assemble.

Part # OFD-CASPER XXXX

21-0427

## 11



Bx12PCS



Ex4PCS



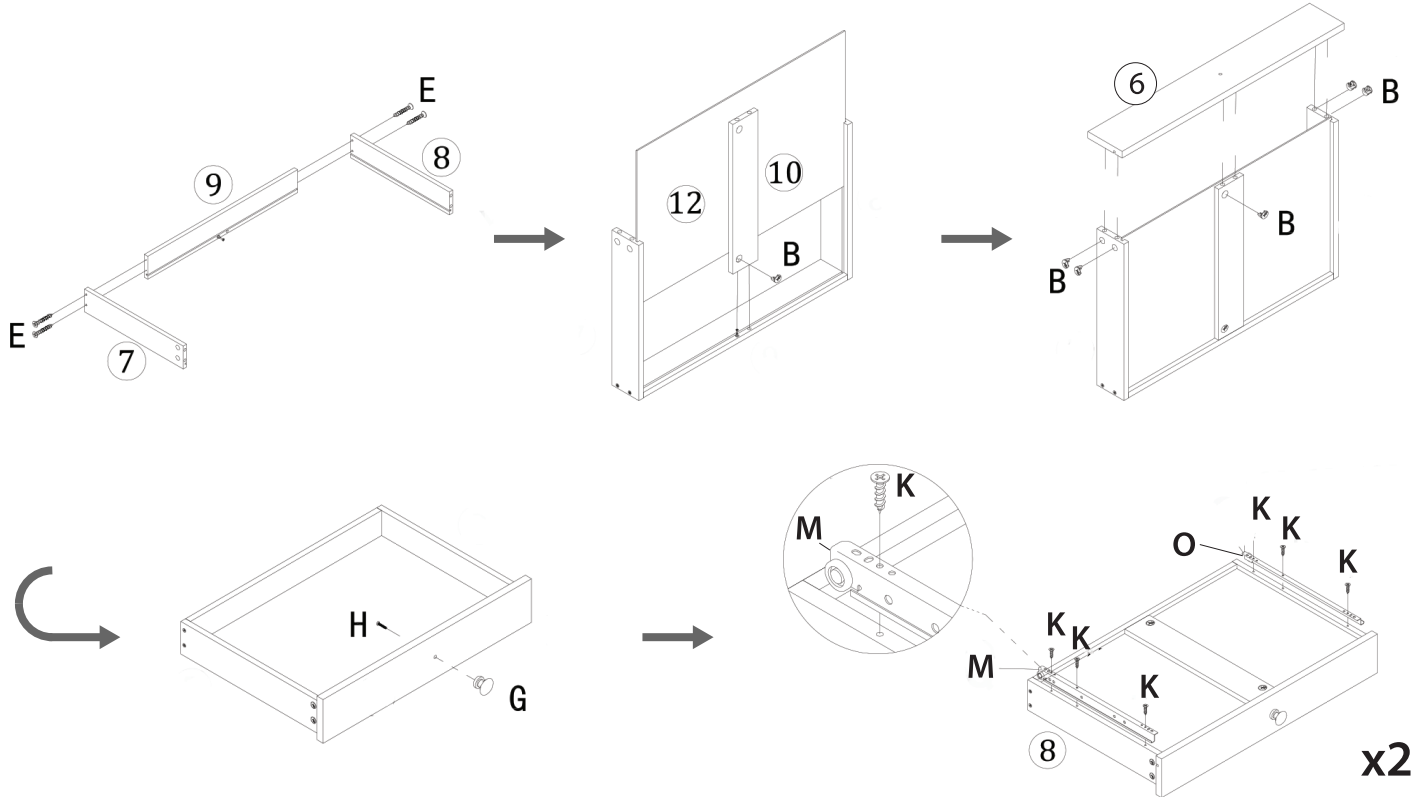
Gx2PCS



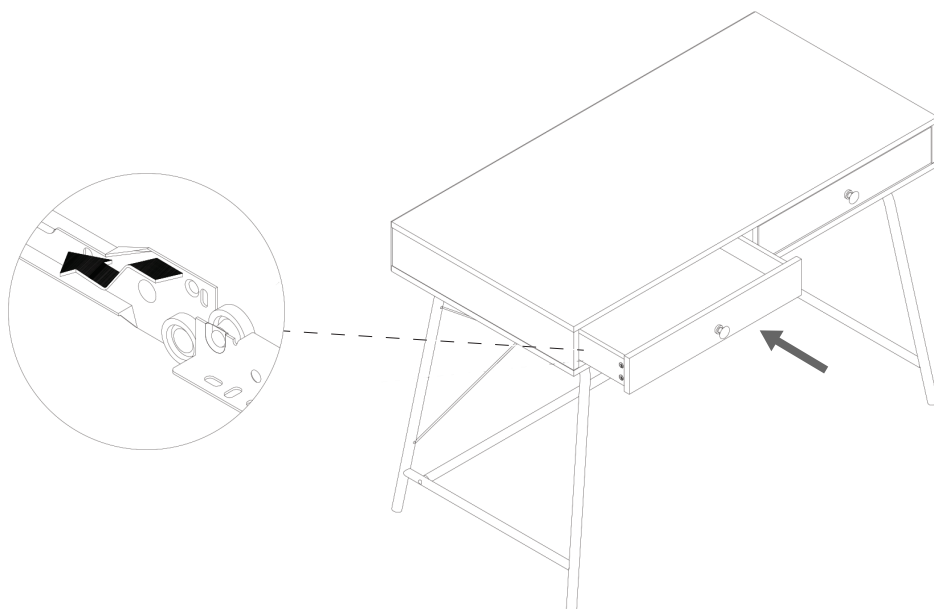
Hx2PCS



Kx12PCS



## 12



Do not over tighten.  
Do not use power tools to assemble.