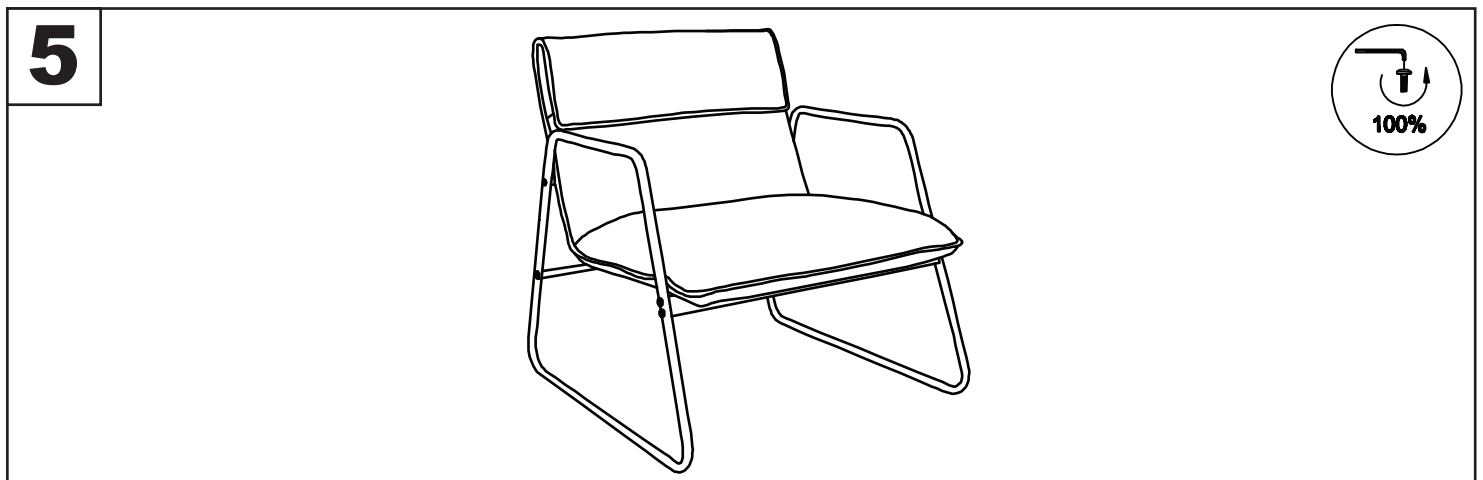
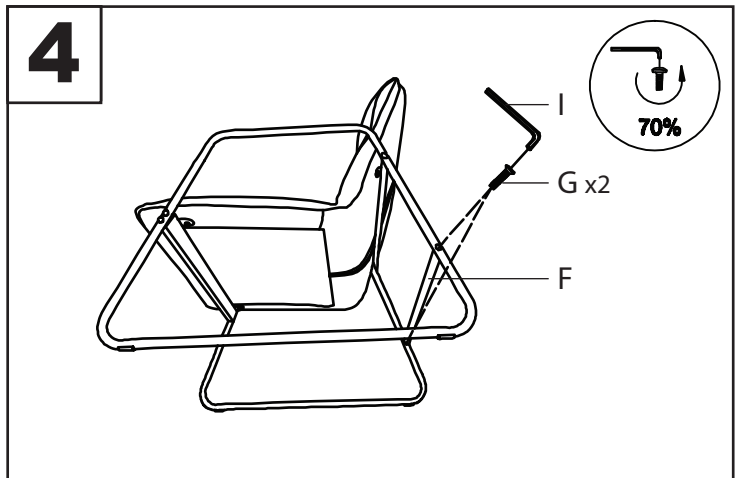
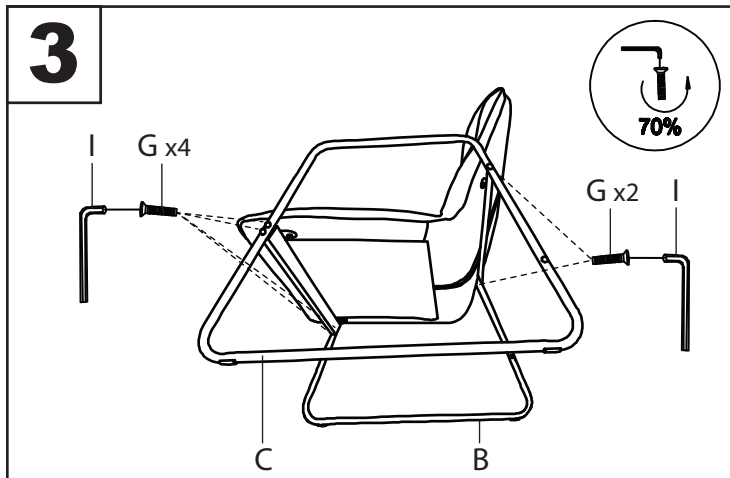
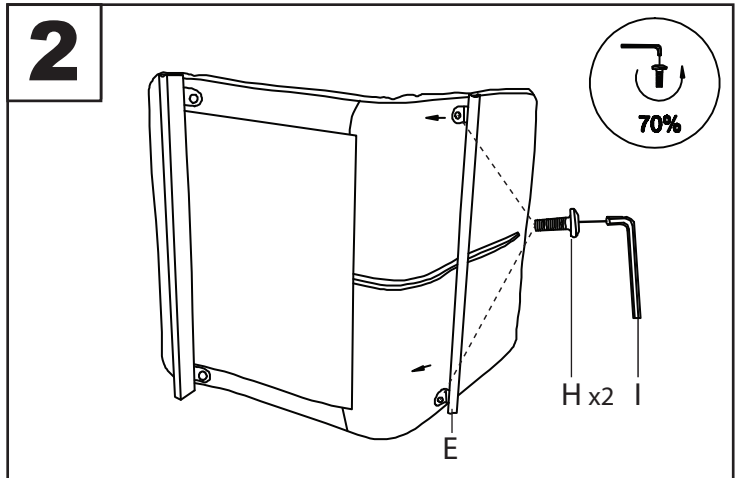
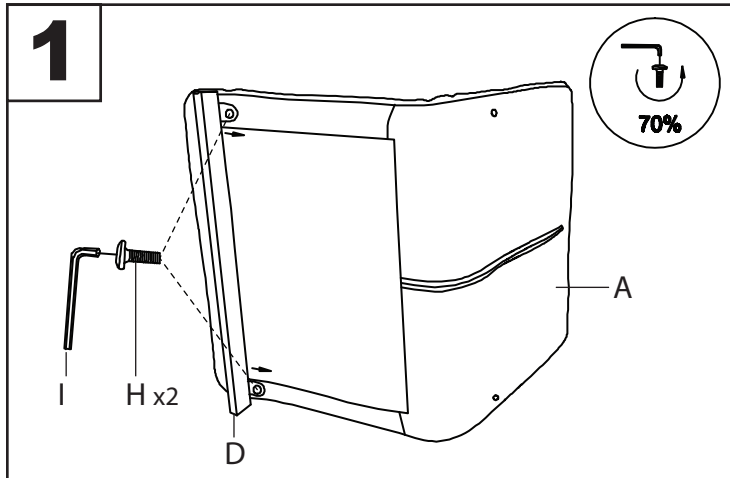
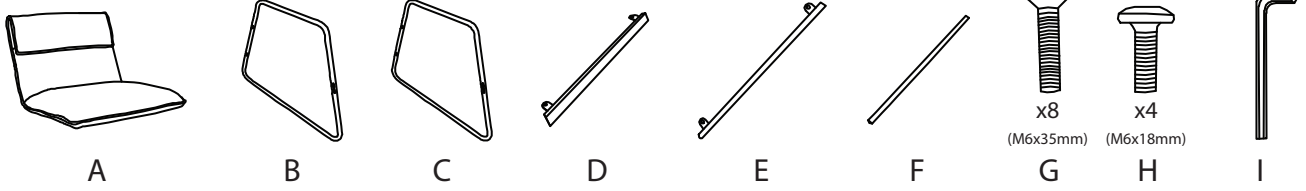


Part # CHR-CASPERARM XX+XX

20-1118

PARTS



Do not over tighten.
Do not use power tools to assemble.