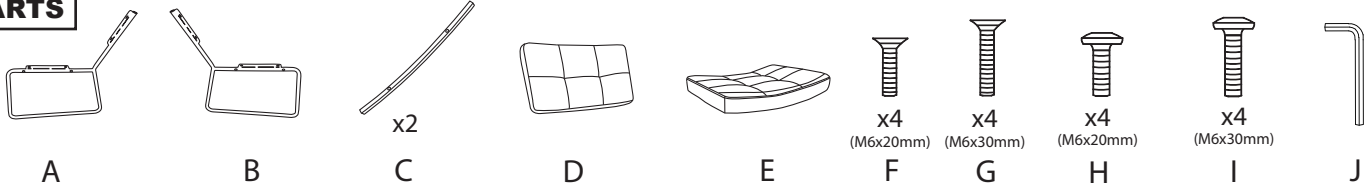


# Stout Lounge Chair

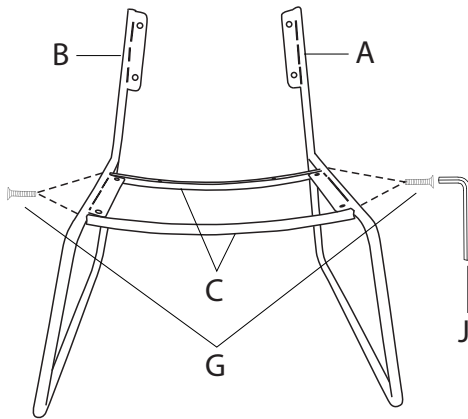
Part # C2-STOUT XXXX

20-1118

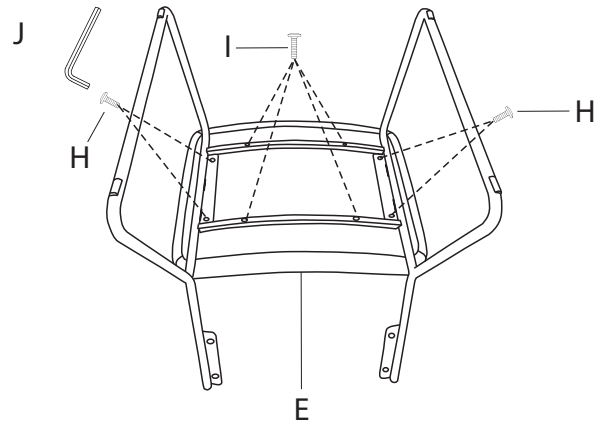
**PARTS**



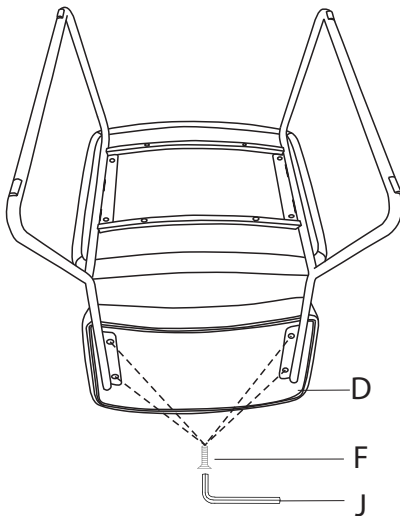
**1**



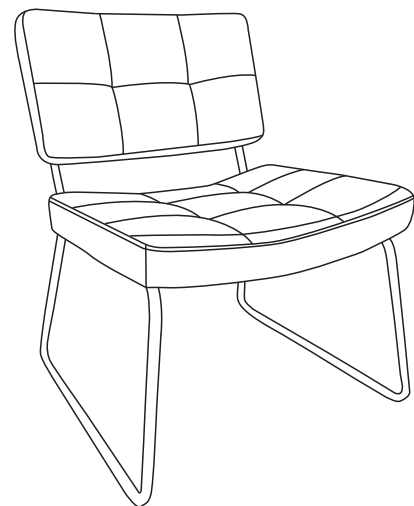
**2**



**3**



**2**



Do not over tighten.  
Do not use power tools to assemble.

Part # OT-STOUT XXXX

20-1118

**PARTS**



A



B



x2

C



D



x4  
(M6x30mm)  
E

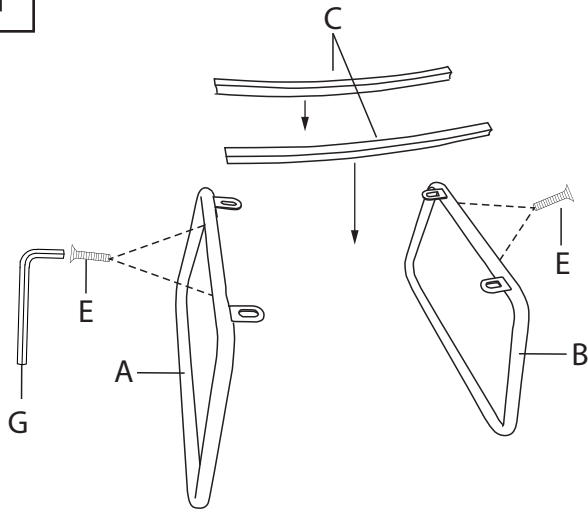


x4  
(M6x20mm)  
F

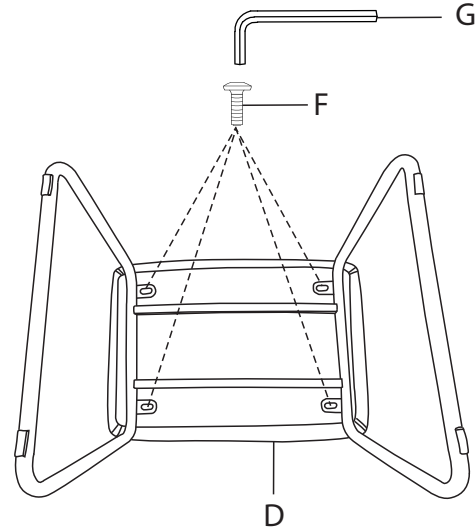


G

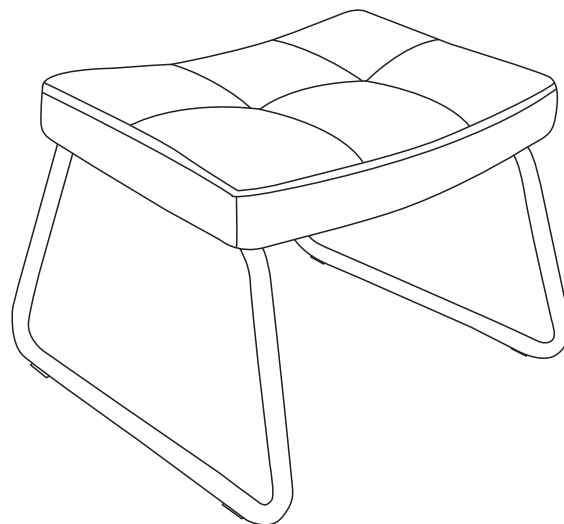
**1**



**2**



**3**



Do not over tighten.  
 Do not use power tools to assemble.