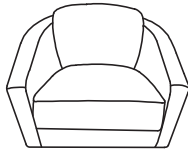


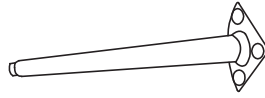
Part # CHR-DAHLIA XXXX

21-0915

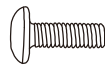
PARTS



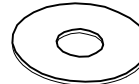
A



x4
B



x12
M6x20mm
C

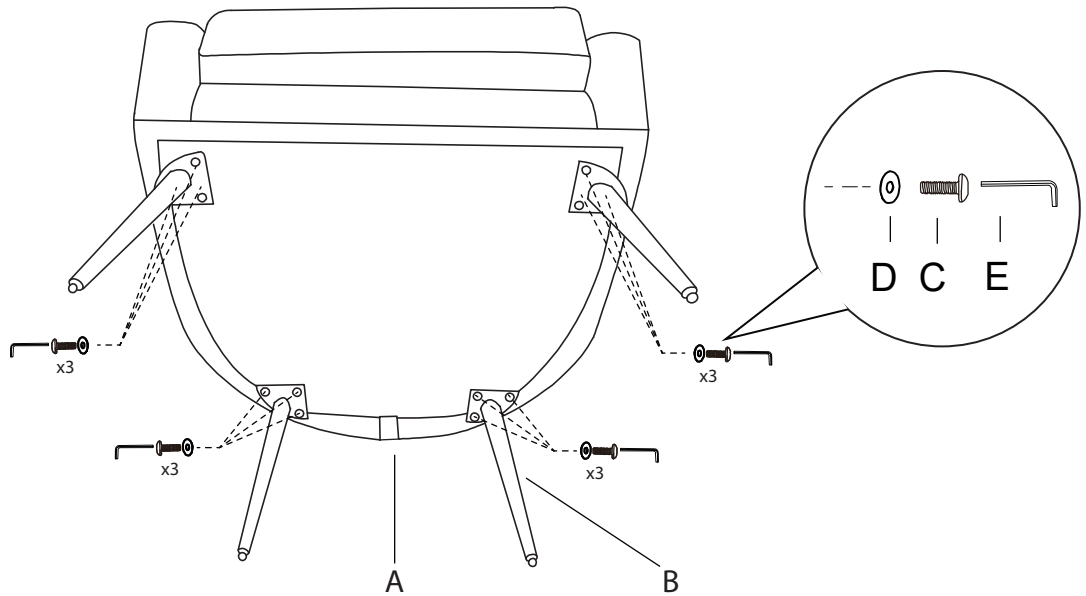


x12
M6
D

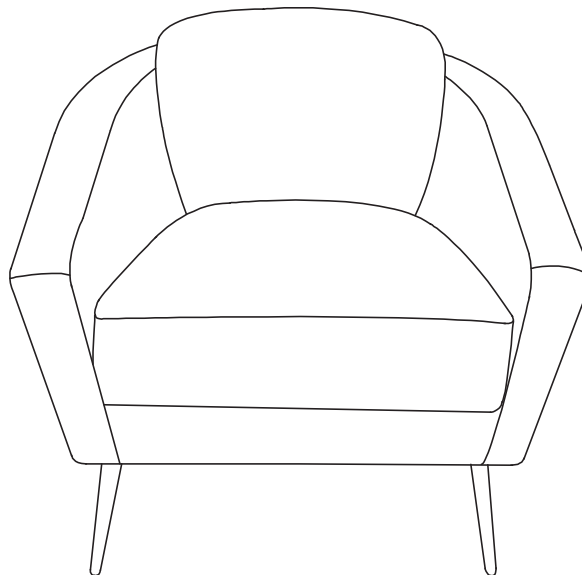


M6
E

1



2



Do not over tighten.
 Do not use power tools to assemble.