

Rhonda Task Chair

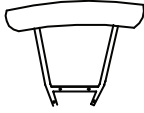
Part # OC-RHONDA XX-XX

21-0326

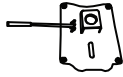
PARTS



A



B



C



D



E



x4

F



x2
(M6x25mm)

G



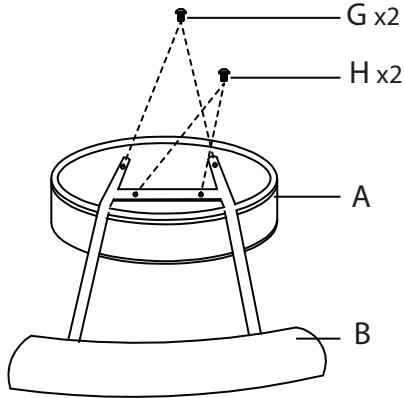
x6
(M6x16mm)

H

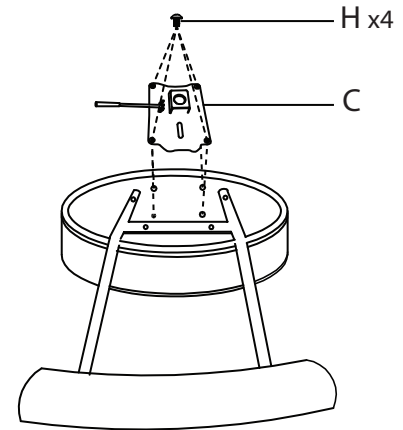


I

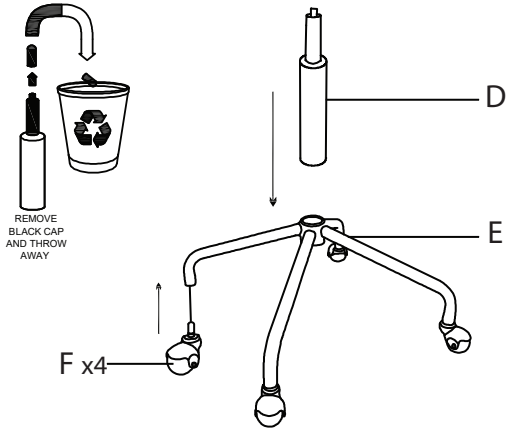
1



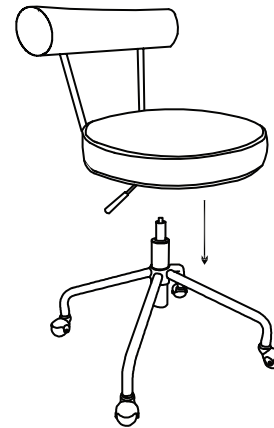
2



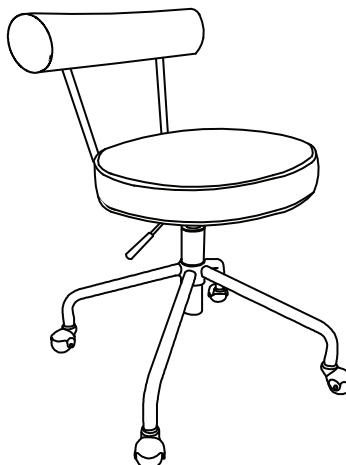
3



4



5



Do not over tighten.
 Do not use power tools to assemble.