

Part # CH-TRIAD XX+XX

21-0303

PARTS



A



B



C

x1
(M6x25mm)

D

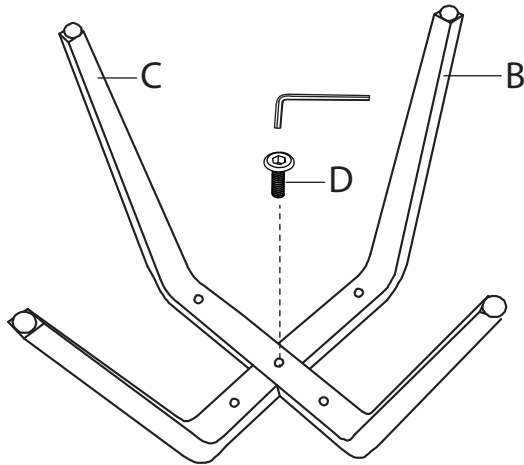
x4
(M6x40mm)

E

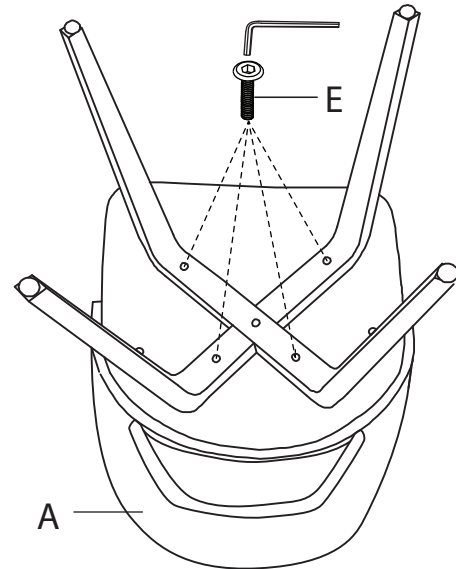


F

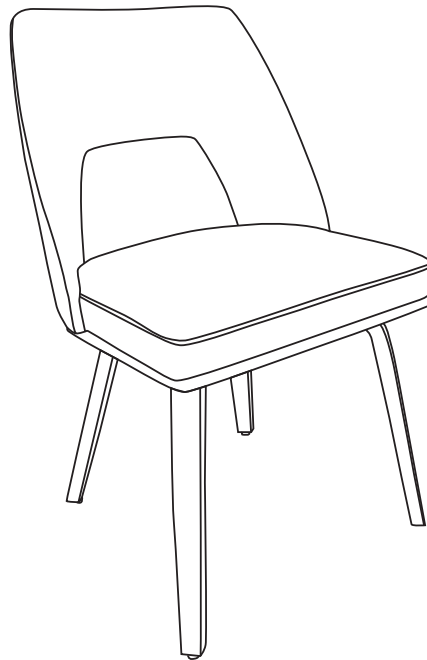
1



2



3



Do not over tighten.
Do not use power tools to assemble.