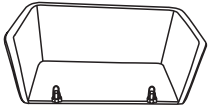


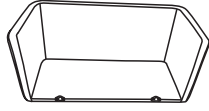
Part # OT-STOUT XX

21-0310

PARTS



A



B



C

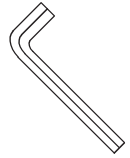


D



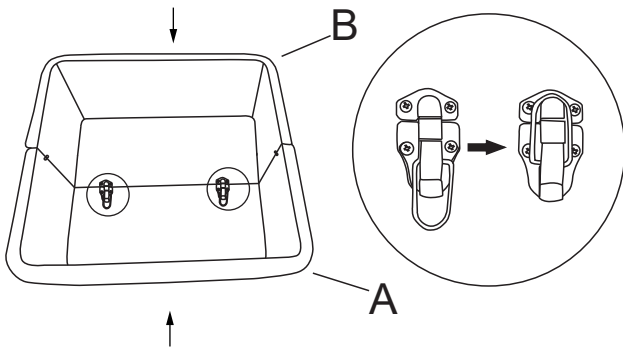
x4
(M6x16mm)

E

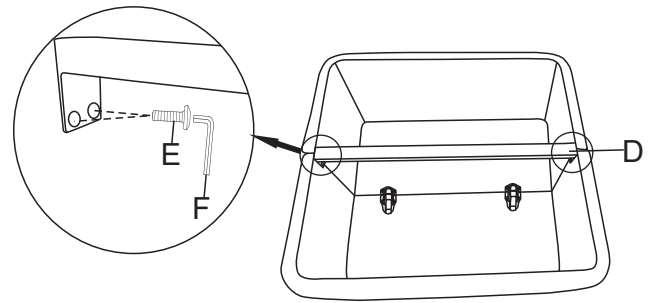


F

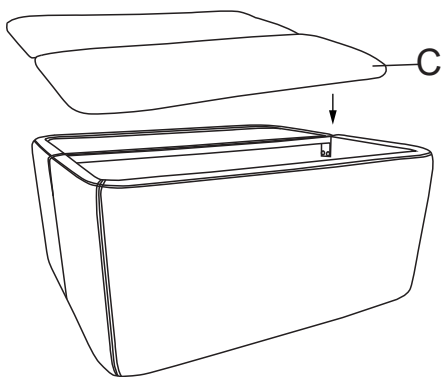
1



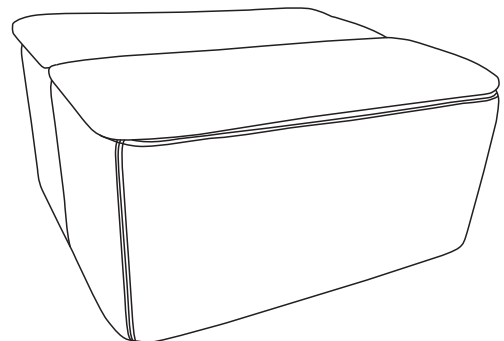
2



3



4



Do not over tighten.
 Do not use power tools to assemble.