

Rhonda Accent Chair

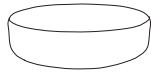
Part # CHR-RHONDA XX+XX

21-0222

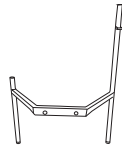
PARTS



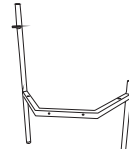
A



B



C



D



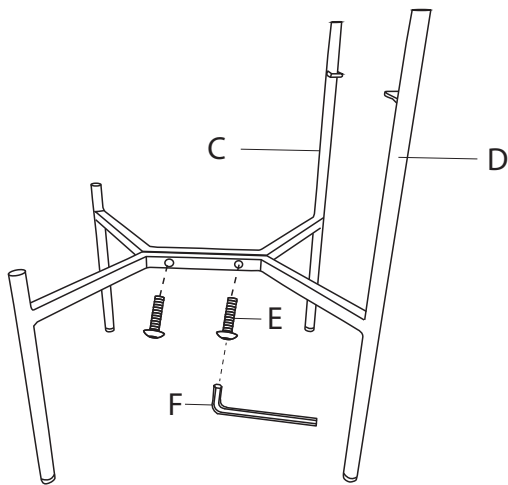
x8
(M6x35mm)

E

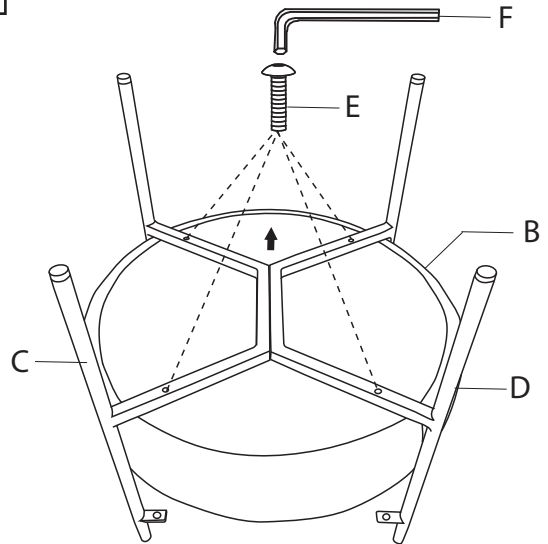


F

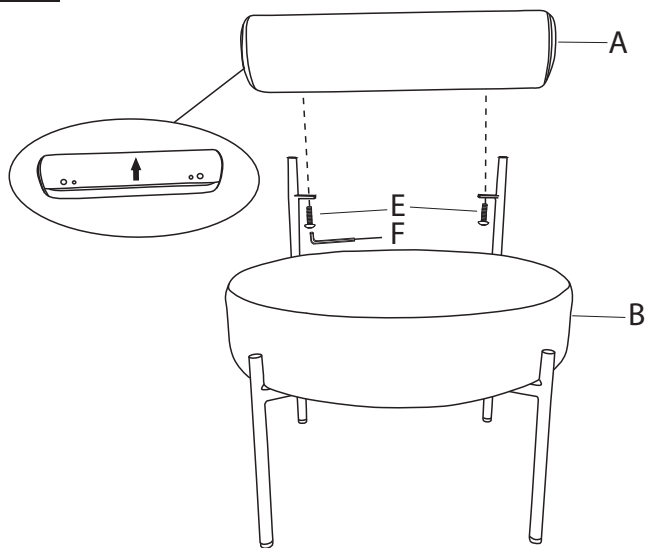
1



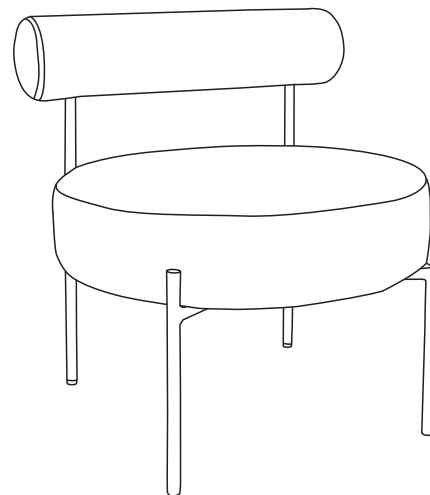
2



3



4



Do not over tighten.
 Do not use power tools to assemble.