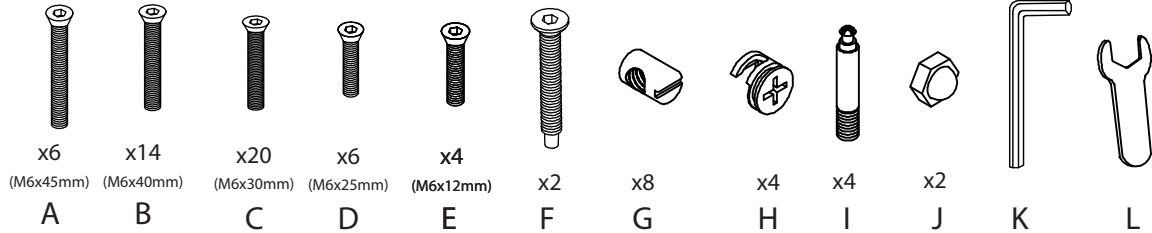
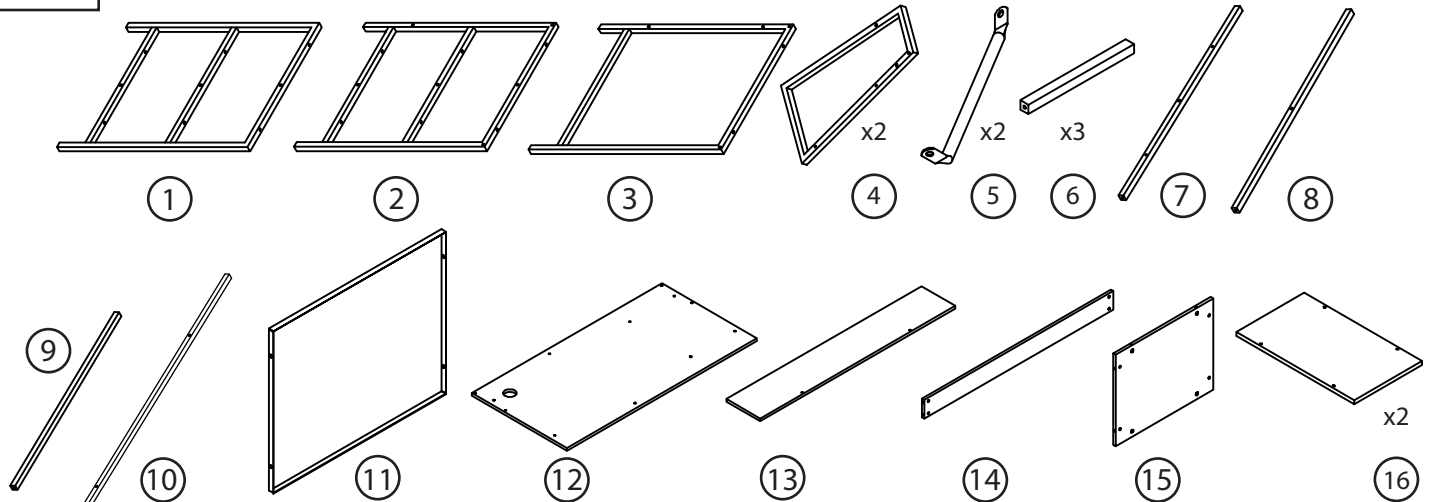


Part # OFD-GEO XX+XX

OFD-GEO-210610

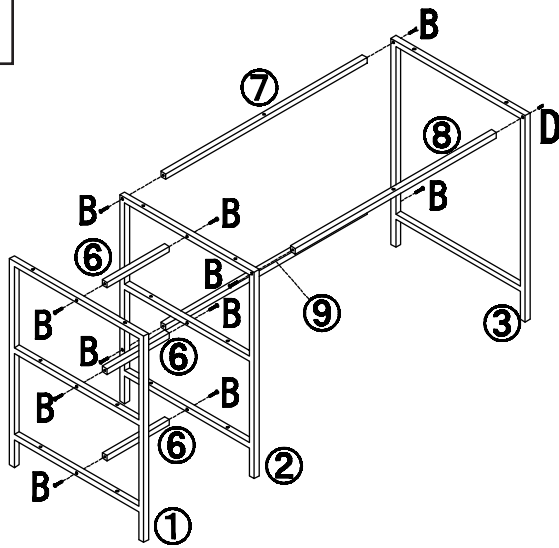
**PARTS**



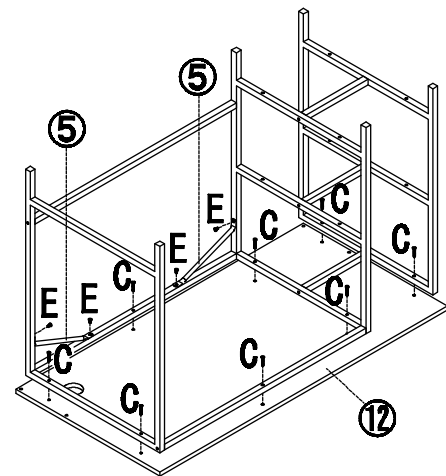
**TOOLS**



**1**



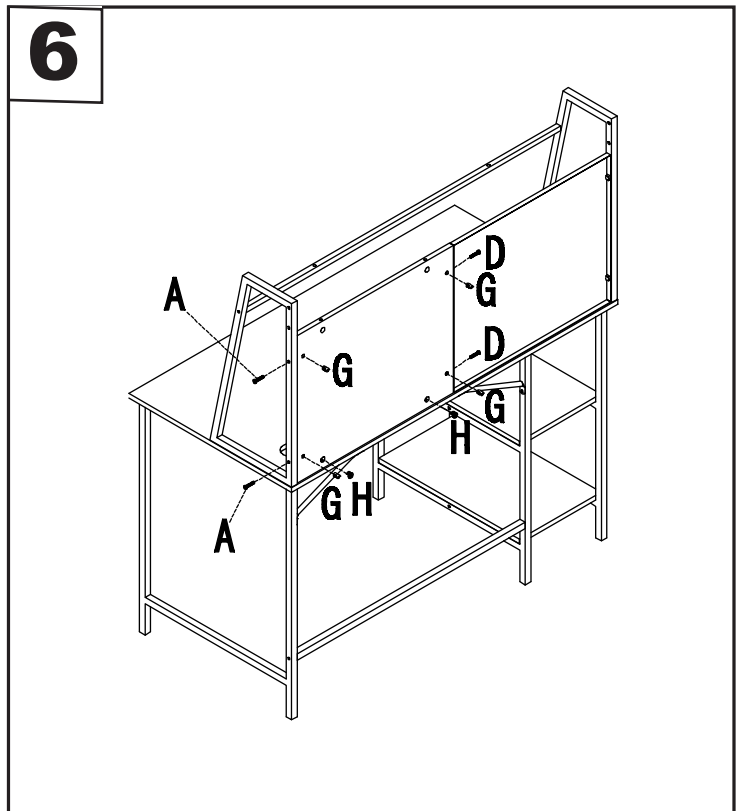
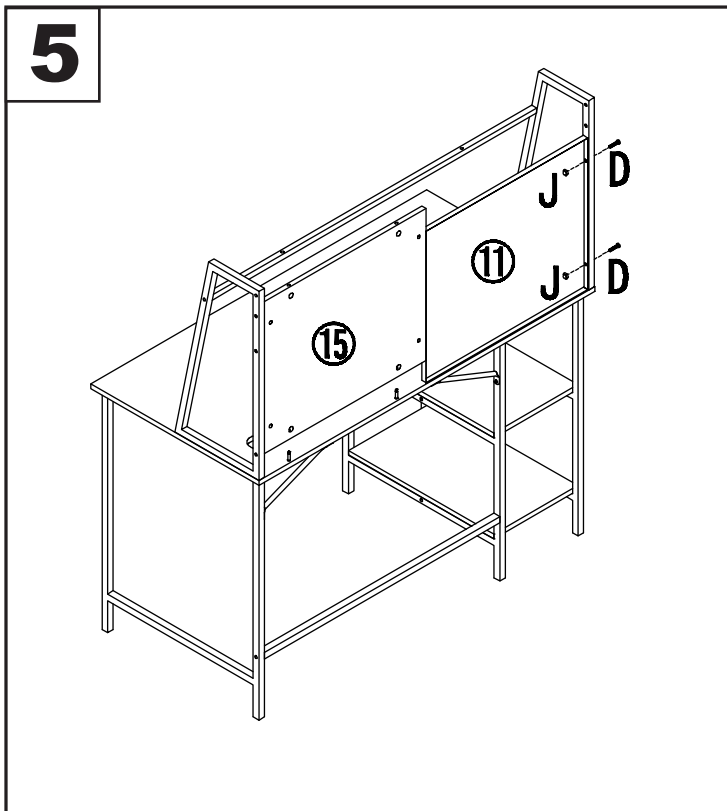
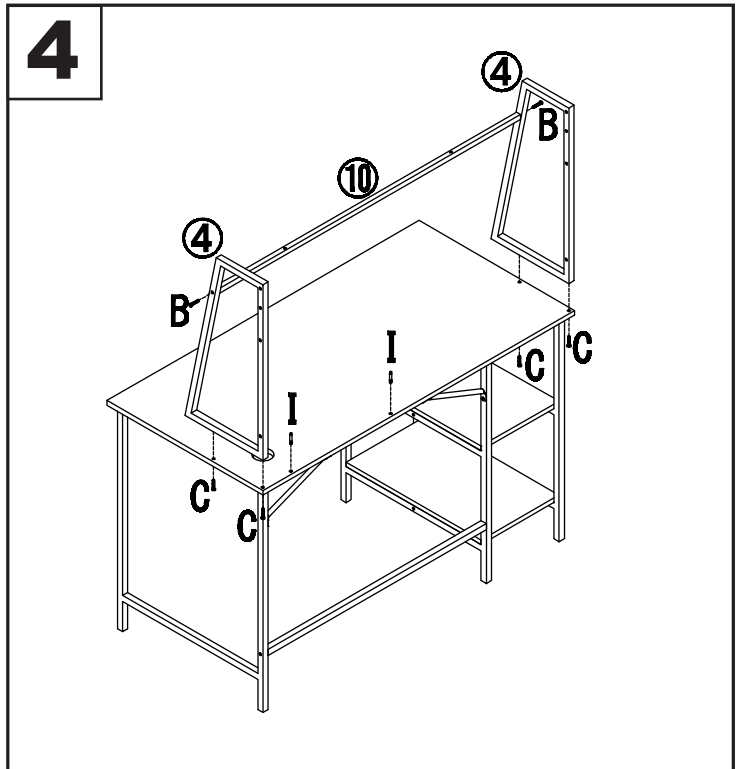
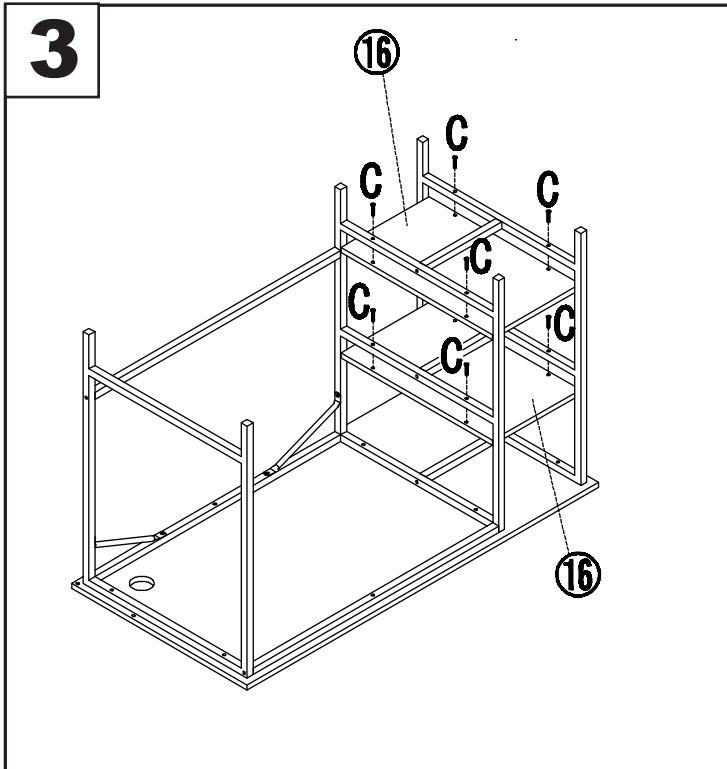
**2**



Do not over tighten.  
Do not use power tools to assemble.

Part # OFD-GEO XX+XX

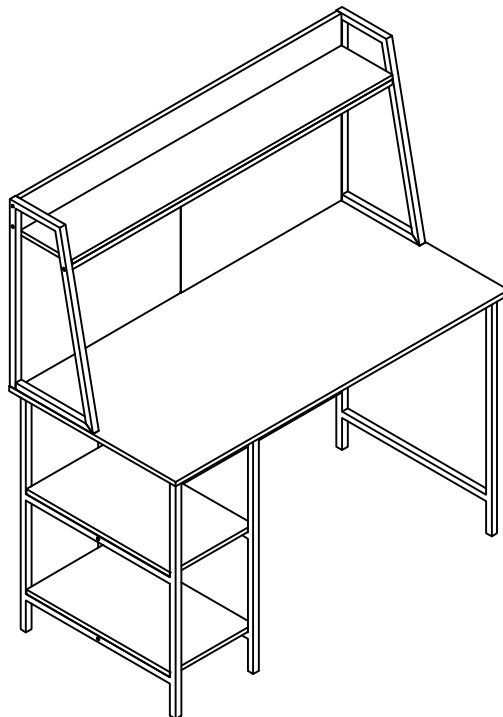
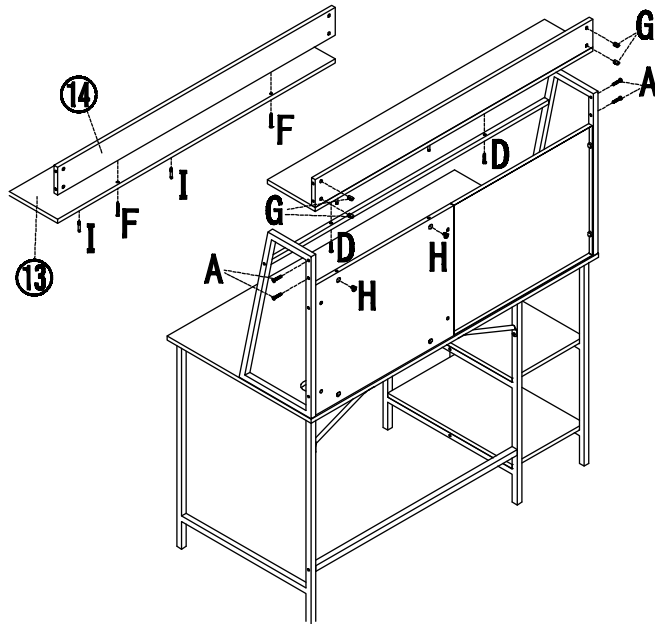
21-0610



Do not over tighten.  
 Do not use power tools to assemble.

Part # OFD-GEO XX+XX

21-0610

**7**

Do not over tighten.  
Do not use power tools to assemble.