




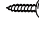
































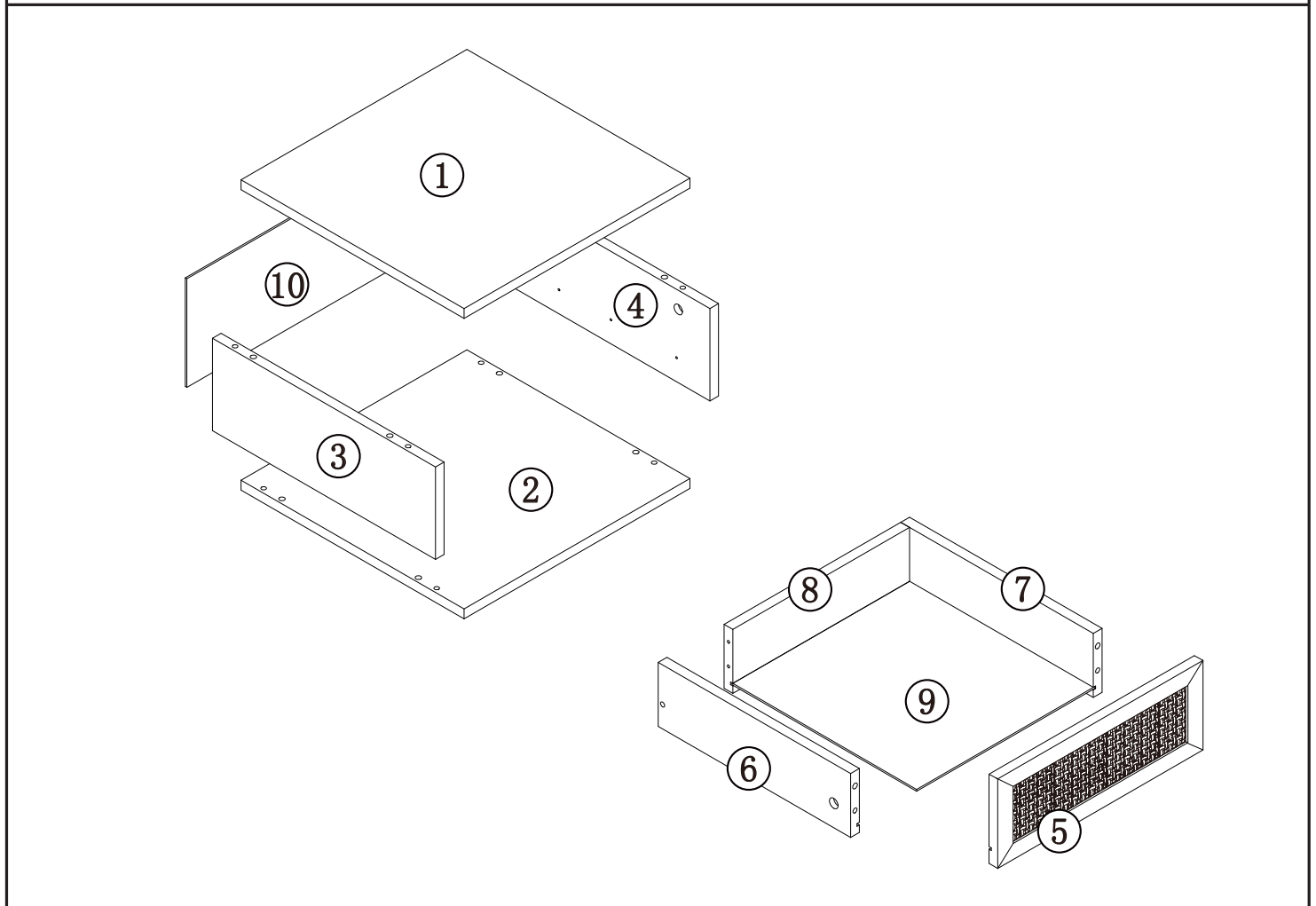
Bora Bora Side Table

Part # T21-BORA XX+XX

T21-BORA-210728

PARTS										TOOLS
										 
x6 (7x39mm) A	x6 B	x12 (8x30mm) C	x12 (3.5x14mm) D	x6 (5x40mm) E	x6 (3x16mm) F	x4 G	x20 (4x14mm) H	x4 I	x1 J	
										
x1 CL	x1 CR	x1 DL	x1 DR							

PARTS									
									
									

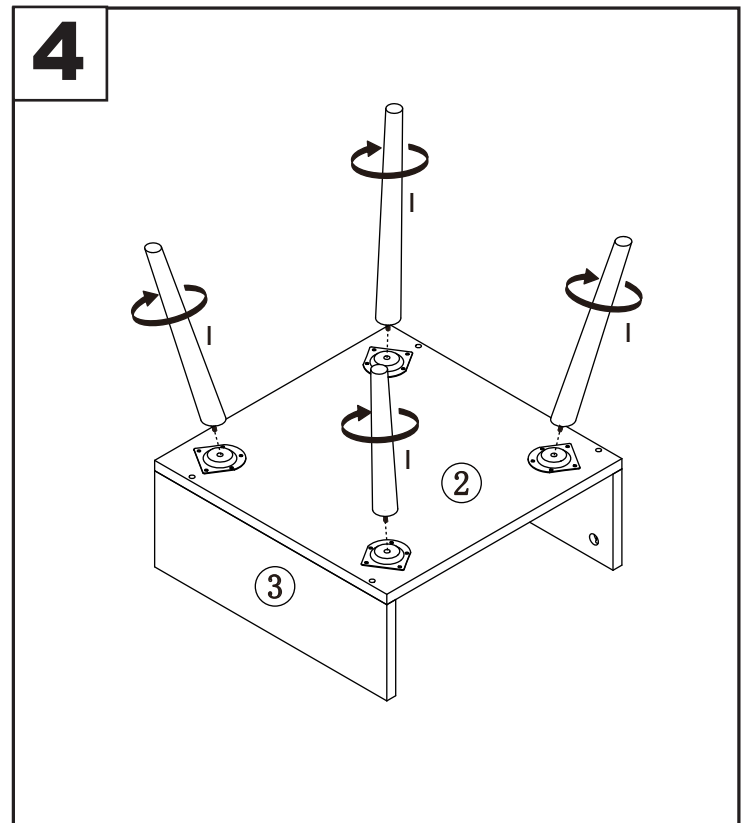
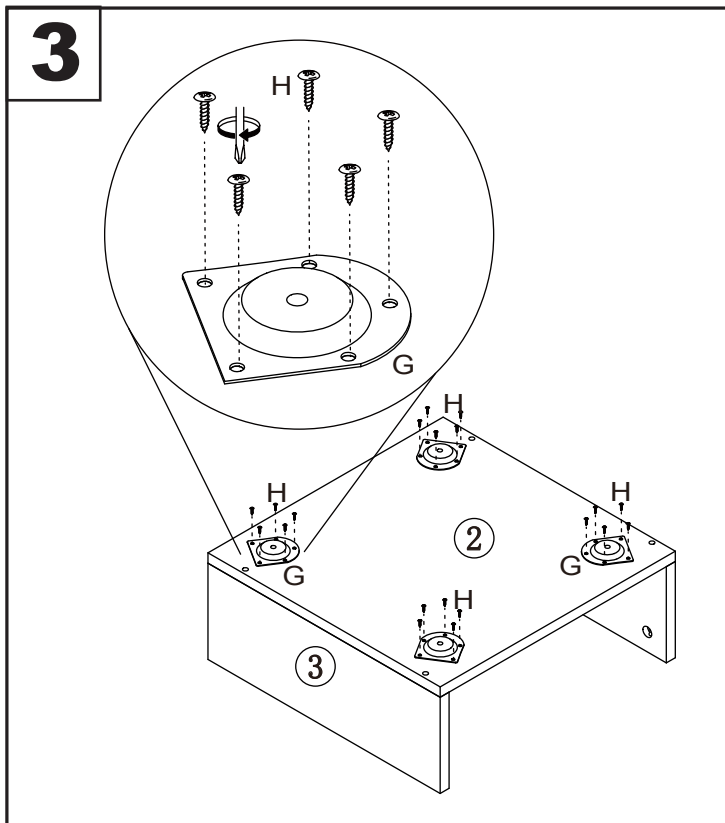
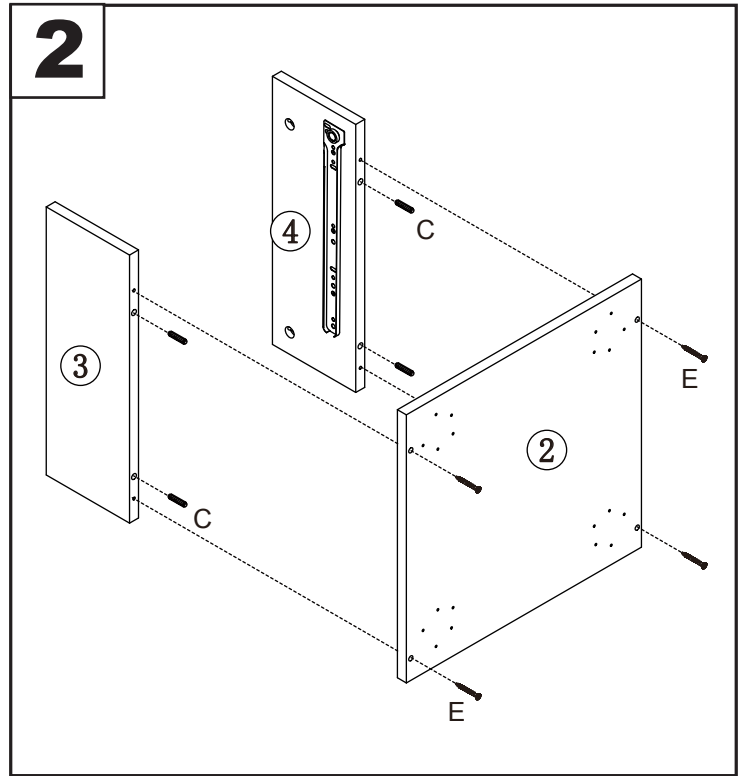
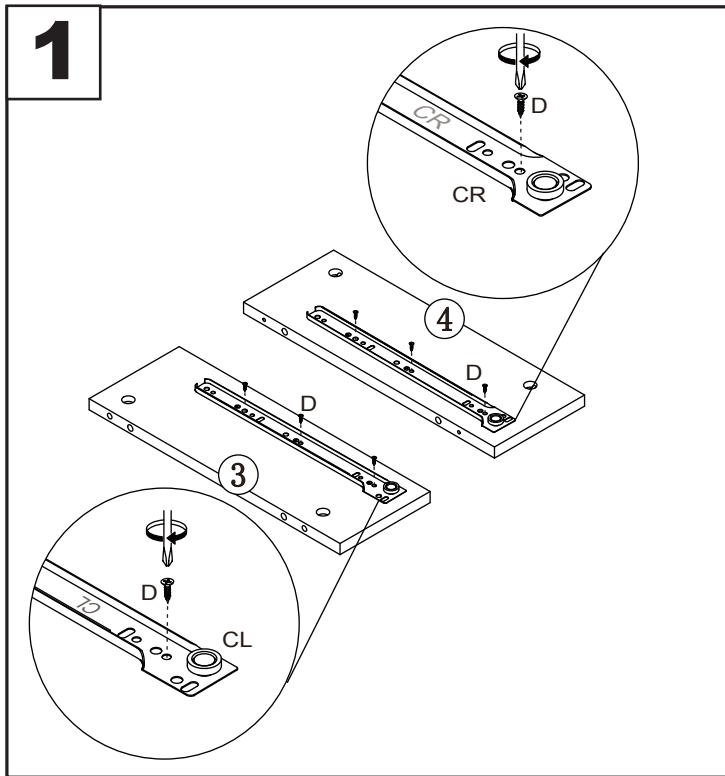


Do not over tighten.
Do not use power tools to assemble.

Bora Bora Side Table

Part # T21-BORA XX+XX

T21-BORA-210728



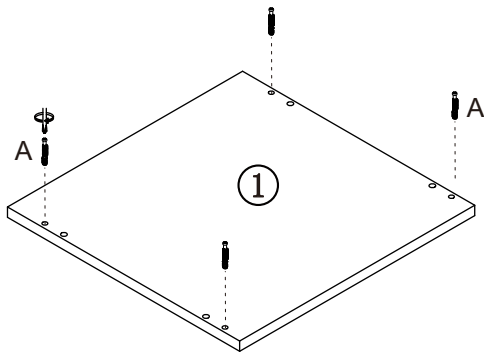
Do not over tighten.
 Do not use power tools to assemble.

Bora Bora Side Table

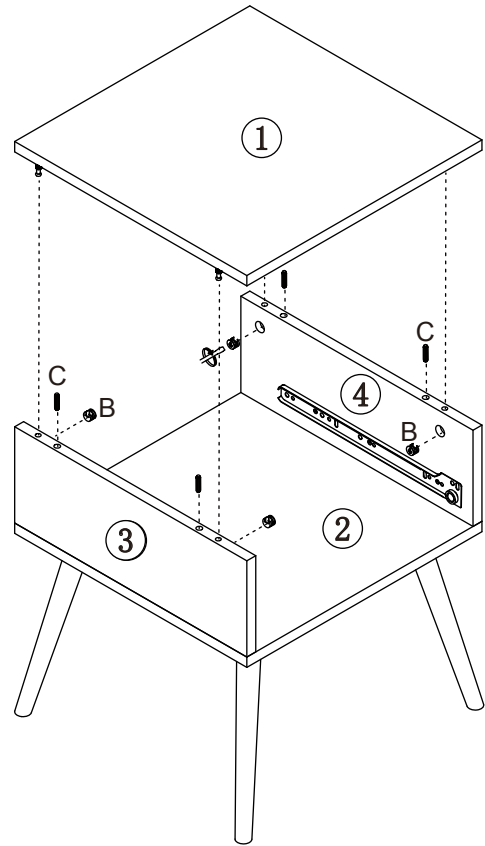
Part # T21-BORA XX+XX

T21-BORA-210728

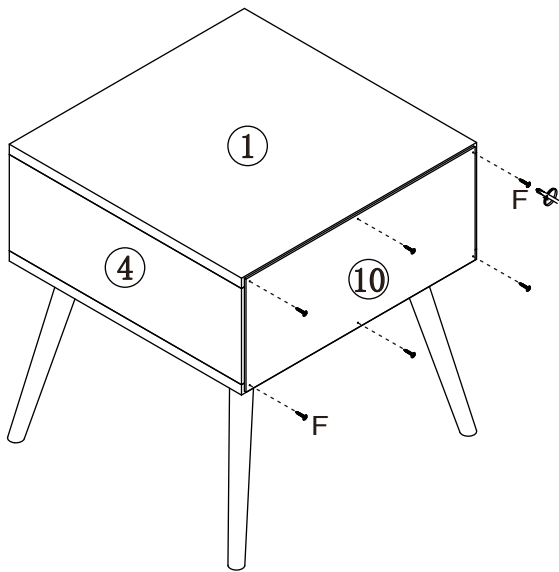
5



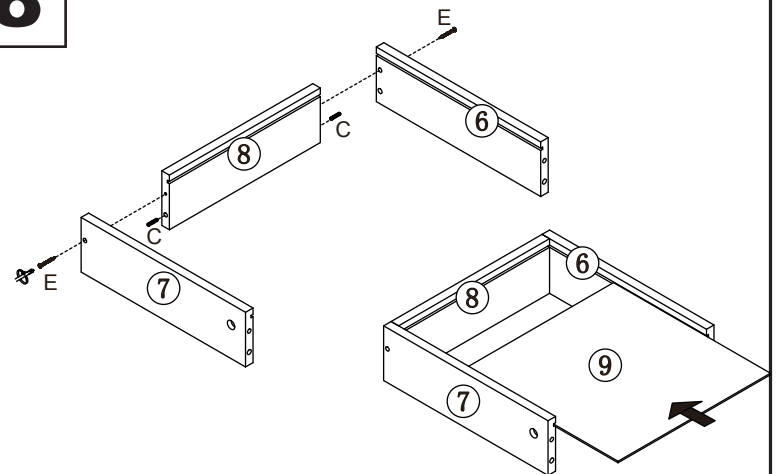
6



7



8

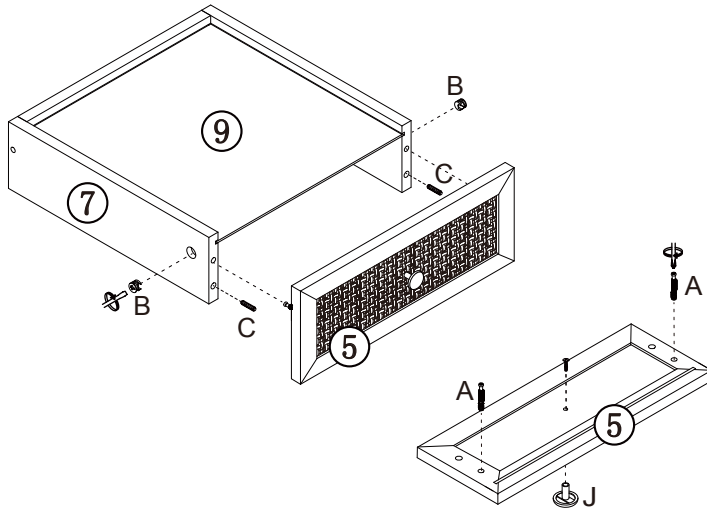


Do not over tighten.
Do not use power tools to assemble.

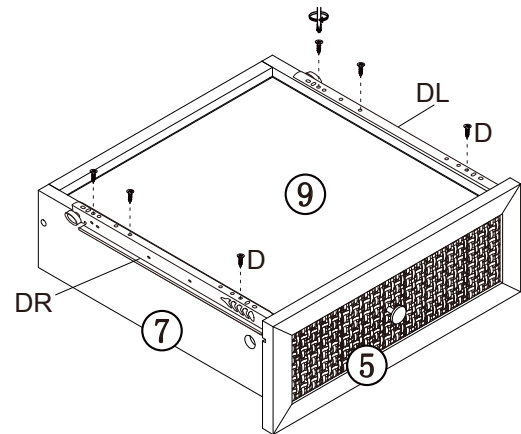
Part # T21-BORA XX+XX

T21-BORA-210728

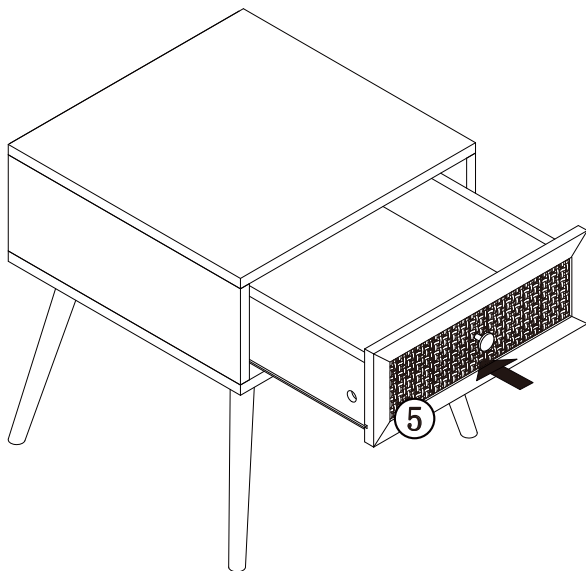
9



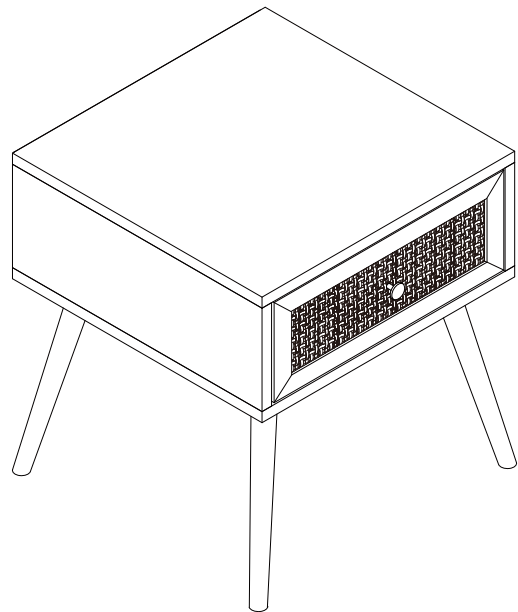
10



11



12



Do not over tighten.
Do not use power tools to assemble.