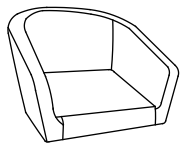


# Leopard Tub Chair

Part # CHR-LEOPARD

CHR-LEOPARD-21-0617

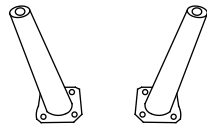
**PARTS**



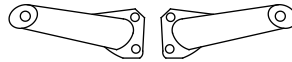
A



B



C  
X2

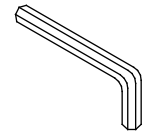


D  
X2



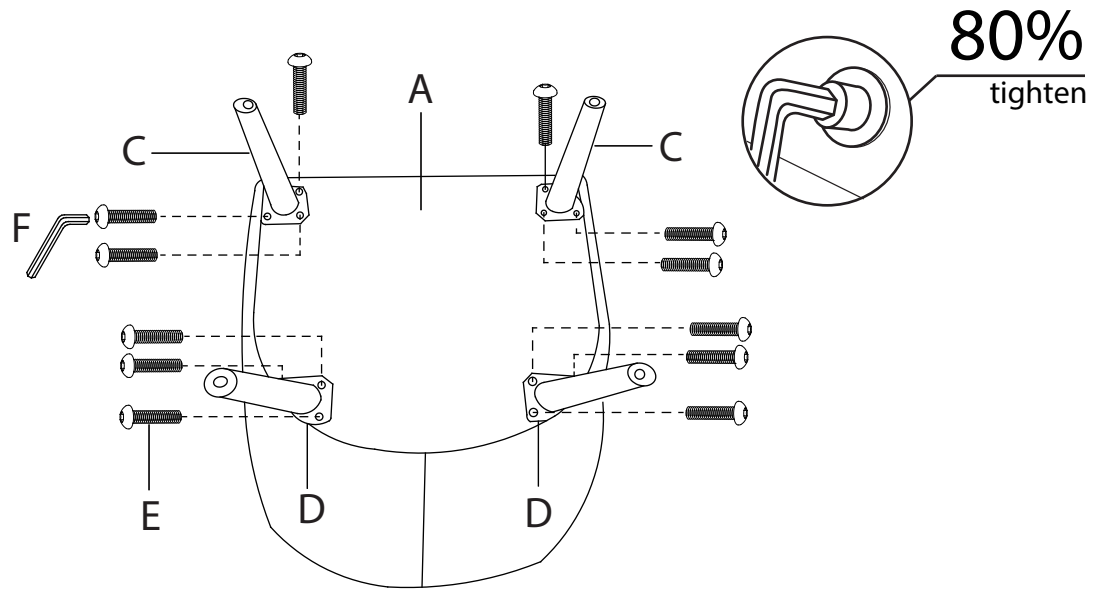
X12  
M6 x 25mm

E

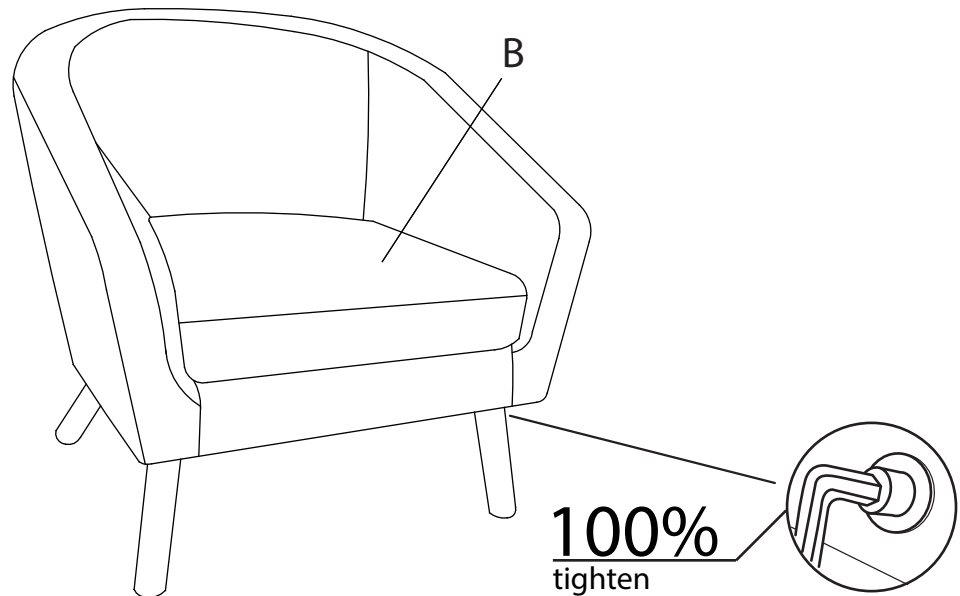


F

**1**



**2**



Do not over tighten.  
 Do not use power tools to assemble.